

TIME LED®

SECURE 10W PIR LED SECURITY LIGHT

SPECIFICATION SHEET

PRODUCT CODE: 769157

The 10W PIR LED Security Light is activated by movement, adding an additional level of security making it ideal for residential and commercial spaces. With a durable, high quality finish the LED bulbs produce a bright but cool white light.

The security light offers great energy savings too, requiring up to 80% less power and providing an impressive 15,000-hour lifespan. The body is made of aluminium with a fixed wall positioning and IP65.

SECURITY LIGHT

10W
=80W

750
LUMENS

NON
DIMMABLE



SECURITY LIGHT

80W EQUIVALENT

750 LUMENS

120° BEAM ANGLE

NON-DIMMABLE

15,000 HOURS LIFESPAN

2 YEARS WARRANTY

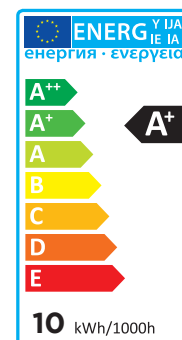
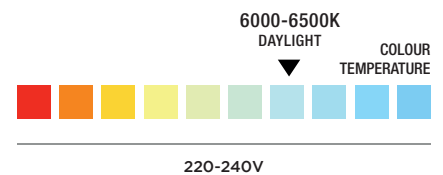
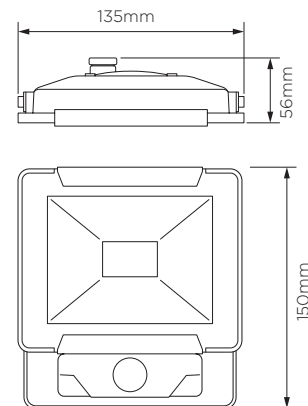
ENERGY RATING A+

SPECIFICATION

Product code	769157
Fitting	Security Light
Bulb Shape	SMD
Wattage	10W
Equivalent wattage	80W
Lumens	750lm
Ra	80
Dimmable	Yes
Beam Angle	120°
Width	135mm
Height	150mm
Depth	56mm
Lifespan	15,000 hours
Warranty	2 Years
Energy consumption	10kWh/1000h
Input Frequency	50Hz
Voltage	220-240V
Energy rating	A+
Material	Aluminium Body + Glass Cover
Packaging	White Box + Colour Label
IP Rating	IP65

OPTICAL TEST PARAMETERS

Voltage	220-240V
Current	0.08mA
Power	9.5W
CCT	6700K
Ra	80
Lumens	790lm
Lumens per watt	75lm/W
Colour tolerance	<6
Power factor	0.5



TIME LED is part of Pitacs Limited

Bradbourne Point, Bradbourne Drive, Tilbrook, Milton Keynes, Buckinghamshire MK7 8AT
T: +44 (0)1908 271155 F: +44 (0)1908 640017 E: info@timeled.co.uk W: www.timeled.co.uk



SPEC_769157_V1_JULY2020