

# TIME LED®

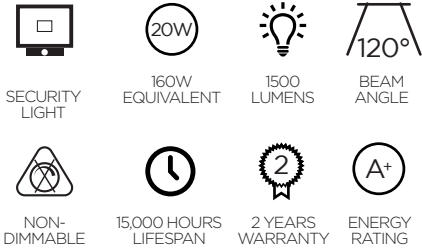
## SECURE 20W PIR LED SECURITY LIGHT

### SPECIFICATION SHEET

PRODUCT CODE: 769164

The 20W PIR LED Security Light is activated by movement, adding an additional level of security making it ideal for residential and commercial spaces. With a durable, high quality finish the LED bulbs produce a bright but cool white light.

The security light offers great energy savings too, requiring up to 80% less power and providing an impressive 15,000-hour lifespan. The body is made of aluminium with a fixed wall positioning and IP65.

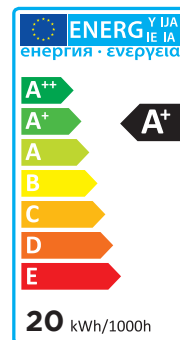
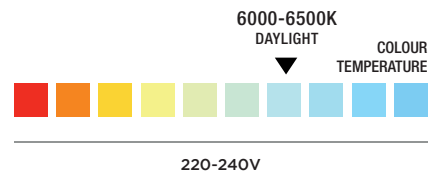
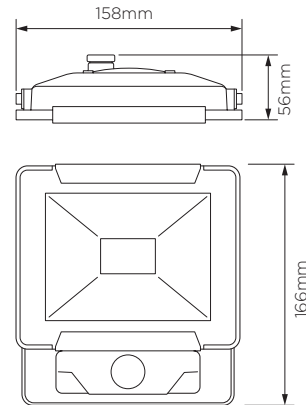


### SPECIFICATION

Product code	769164
Fitting	Security Light
Bulb Shape	SMD
Wattage	20W
Equivalent wattage	160W
Lumens	1500lm
Ra	80
Dimmable	Yes
Beam Angle	120°
Width	158mm
Height	166mm
Depth	56mm
Lifespan	15,000 hours
Warranty	2 Years
Energy consumption	20kWh/1000h
Input Frequency	50Hz
Voltage	220-240V
Energy rating	A+
Material	Aluminium Body + Glass Cover
Packaging	White Box + Colour Label
IP Rating	IP65

### OPTICAL TEST PARAMETERS

Voltage	220-240V
Current	0.16mA
Power	19.8W
CCT	6700K
Ra	80
Lumens	1580lm
Lumens per watt	79.29lm/W
Colour tolerance	<6
Power factor	0.5



TIME LED is part of Pitacs Limited

Bradbourne Point, Bradbourne Drive, Tilbrook, Milton Keynes, Buckinghamshire MK7 8AT  
 T: +44 (0)1908 271155 F: +44 (0)1908 640017 E: info@timeled.co.uk W: www.timeled.co.uk



SPEC\_769164\_V1\_JULY2020