

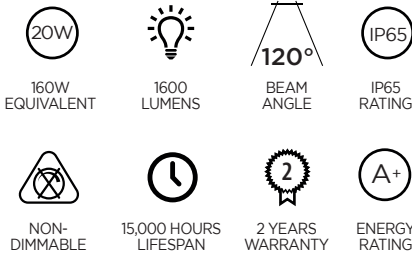
TIME LED®

COMMA 20W LED OUTDOOR ROUND BULKHEAD WITH PIR

SPECIFICATION SHEET

PRODUCT CODE: 778289

With its sturdy casing and black finish, the 20W LED Outdoor Round Bulkhead offers a superb outside lighting solution for a variety of domestic and commercial installations. The bulkhead boasts a 15,000-hour lifespan and has a wide 120° beam angle spreading the light out. Coupled with a 1600-lumen light output, the final product is a space full of bright light. Complete with a PIR movement sensor, this bulkhead comes fully IP65 rated, meaning the durable casing is perfect for enduring any weather.

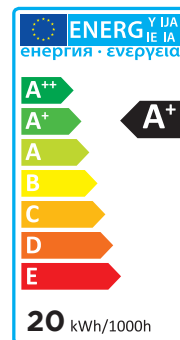
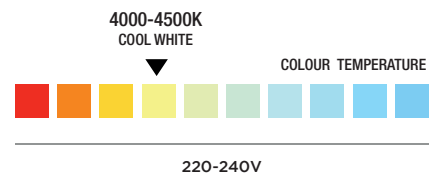
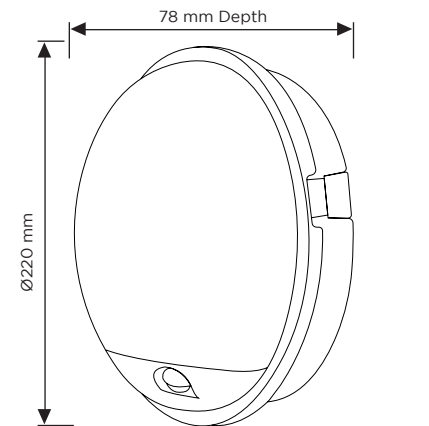


SPECIFICATION

Product code	778289
Fitting	Bulkhead
Bulb shape	SMD
Wattage	20W
Equivalent wattage	160W
Lumens	1600lm
Ra	80
Dimmable	No
Beam Angle	120°
Diameter	Ø220mm
Depth	78mm
Lifespan	15,000 hours
Warranty	2 Years
Energy consumption	20kWh/1000h
Input frequency	50Hz
Voltage	220-240V
Energy rating	A+
Material	PC Body + Cover
Packaging	White Box + Colour Label
IP Rating	IP65

OPTICAL TEST PARAMETERS

Voltage	220-240V
Current	0.163A
Power	20.13W
CCT	No
Ra	80
Lumens	1600lm
Lumens per watt	80lm/W
Colour tolerance	<6
Power factor	0.5



TIME LED is part of Pitacs Limited

Bradbourne Point, Bradbourne Drive, Tilbrook, Milton Keynes, Buckinghamshire MK7 8AT
 T: +44 (0)1908 271155 F: +44 (0)1908 640017 E: info@timeled.co.uk W: www.timeled.co.uk



SPEC_778289_V1_JULY2020