

## LANDSCAPE 10W LED BOXED GARDEN BOLLARD LIGHT (50CM)

### SPECIFICATION SHEET

PRODUCT CODE: 778388

With a dark black finish and open white diffuser, the LED Boxed Garden Bollard Light is great for bringing statement to an outdoor space. The cool white light is distributed from the boxed design, giving a great contemporary finish and creating a beautiful lighting effect suitable for any garden, driveway or parking space. The tough aluminium body ensures the bollard light is able to withstand all weather conditions. With an IP44 rating and a 600-lumen light output, the fitting is suitable for outdoor use in any modern or contemporary setting.



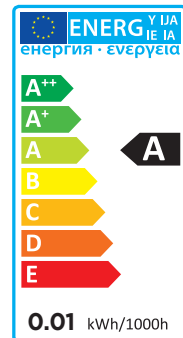
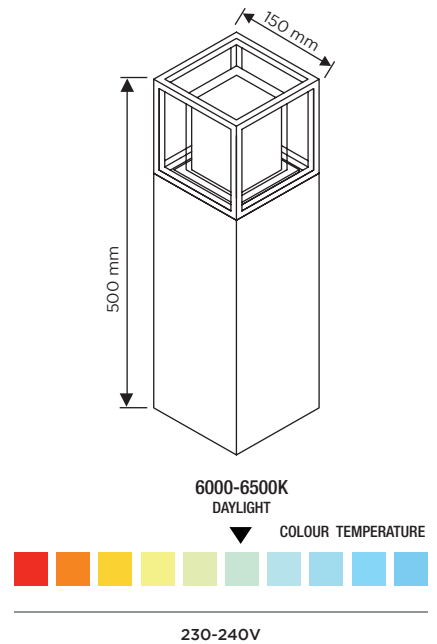
10W 80W EQUIVALENT	600 LUMENS	120° BEAM ANGLE	IP44 RATING
NON-DIMMABLE	15,000 HOURS LIFESPAN	2 YEARS WARRANTY	ENERGY RATING

### SPECIFICATION

Product code	778388
Fitting	Garden Light
Bulb shape	SMD
Wattage	10W
Equivalent wattage	80W
Lumens	600lm
Ra	80
Dimmable	No
Beam Angle	120°
Width	150mm
Height	500mm
Depth	150mm
Lifespan	15,000 hours
Warranty	2 Years
Energy consumption	0.01kW/h
Input frequency	50Hz
Voltage	230-240V
Energy rating	A
Material	Aluminium Body + PC Cover
Packaging	White Box + Colour Label
IP Rating	IP44

### OPTICAL TEST PARAMETERS

Voltage	230-240V
Current	0.06A
Power	10W
CCT	No
Ra	80
Lumens	620lm
Lumens per watt	60lm/W
Colour tolerance	<6
Power factor	0.5



TIME LED is part of Pitacs Limited

Bradbourne Point, Bradbourne Drive, Tilbrook, Milton Keynes, Buckinghamshire MK7 8AT  
T: +44 (0)1908 271155 F: +44 (0)1908 640017 E: info@timeled.co.uk W: www.timeled.co.uk

