

SPECIFICATION SHEET

PRODUCT CODE: 781005



DRIVER



25,000 HOURS
LIFESPAN

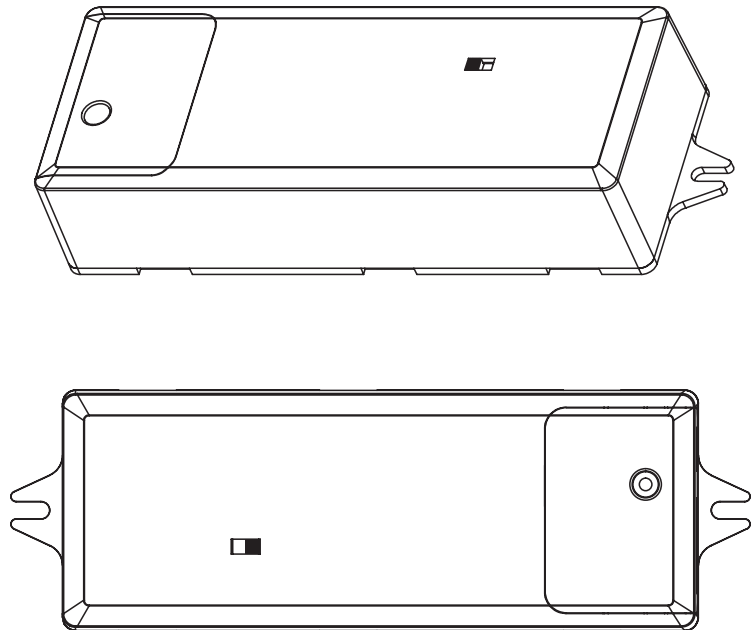


3 YEARS
WARRANTY



SPECIFICATION

Product code	781005
Fitting	Driver
Length	170mm
Height	33mm
Depth	55mm
Weight	0.245kg
Lifespan	25,000 Hours
Warranty	3 Years
Input frequency	50Hz
Voltage	110-265V
Current	1A
CCT	No
Hertz	50/60Hz
Material	PC
Packaging	White Box + Colour Sticker
IP Rating	IP20



EMERGENCY BATTERY

Battery	Nimh 4.8V 2.5Ah
Charge Time	36 Hours
Discharge Time	3 Hours
Output Voltage	5-42V

TIME LED is part of Pitacs Limited

Bradbourne Point, Bradbourne Drive, Tilbrook, Milton Keynes, Buckinghamshire MK7 8AT

T: +44 (0)1908 271155 F: +44 (0)1908 640017 E: info@timeled.co.uk W: www.timeled.co.uk



SPEC_781005_V1_JULY2020