

SPECIFICATION SHEET

PRODUCT CODE: 781272



LED
DRIVER



36W



IP67



DRIVER



25,000 HOURS
LIFESPAN

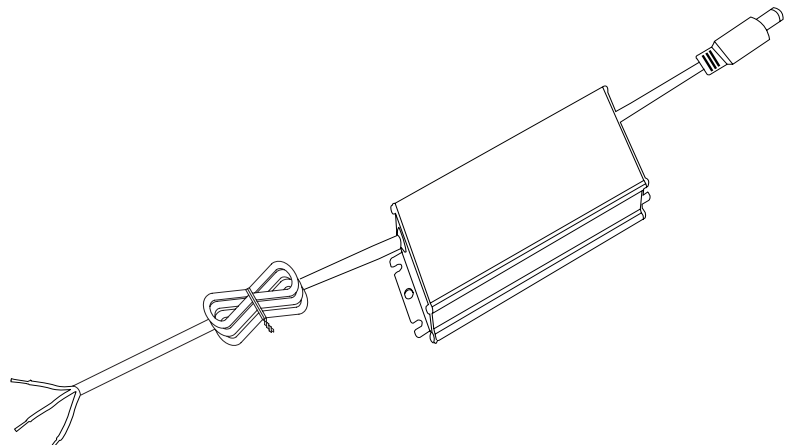


2
YEARS
WARRANTY



SPECIFICATION

Product code	781272
Fitting	Driver
Primary Cable Length	3000mm
Secondary Cable Length	130mm
Cable Colour	Black
Diameter	122mm
Height	36mm
Depth	63mm
Weight	0.64kg
Lifespan	25,000 Hours
Warranty	2 Years
Input frequency	50Hz
Voltage	170-265V
Current	1.5A
Power	36W
Power Factor	0.9
Hertz	50Hz
Material	Aluminium
Packaging	White Box + Colour Sticker
IP Rating	IP67



TIME LED is part of Pitacs Limited

Bradbourne Point, Bradbourne Drive, Tilbrook, Milton Keynes, Buckinghamshire MK7 8AT

T: +44 (0)1908 271155 F: +44 (0)1908 640017 E: info@timeled.co.uk W: www.timeled.co.uk



SPEC_781272_V1_DEC2020