

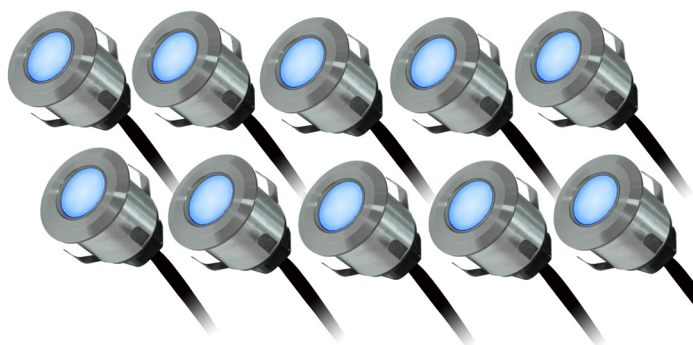
SPECIFICATION SHEET
PRODUCT CODE: 781470

DECK LIGHT

**10 x 0.2W
=16W**

22 LUMENS

IP65



DECK LIGHT



16W EQUIVALENT



22 LUMENS



NON-DIMMABLE



25,000 HOURS LIFESPAN



3 YEARS WARRANTY

SPECIFICATION

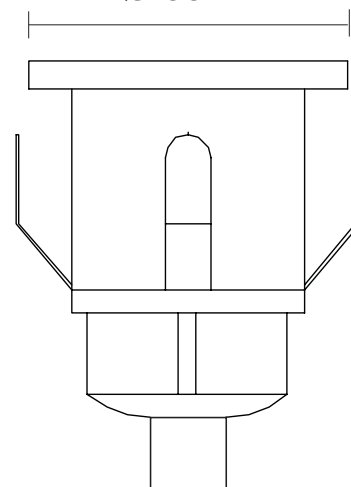
Product code	781470
Fitting	Deck Light
Bulb shape	SMD
Wattage	10 x 0.2W
Equivalent wattage	16W
Lumens	22lm
Driver included	No
Cable Length	2.05m
Cable Colour	Black
Dimmable	No
Length	Ø35mm (for one LED)
Height	28mm (for one LED)
Cut Out Size	Ø30mm
Weight	1.6kg
Lifespan	25,000 Hours
Warranty	3 Years
Input frequency	50Hz
Material	Steel/Polycarbonate
Packaging	White Box + Colour Label
IP Rating	IP65

OPTICAL TEST PARAMETERS

Voltage	220-240V
Current	0.013A*
Power	0.16W/M*
Ra	80
Colour tolerance	<6
Power factor	0.9
Hertz	50/60Hz

*For one LED

Ø 35 mm



COLOUR TEMPERATURE



TIME LED is part of Pitacs Limited

Bradbourne Point, Bradbourne Drive, Tilbrook, Milton Keynes, Buckinghamshire MK7 8AT

T: +44 (0)1908 271155 F: +44 (0)1908 640017 E: info@timeled.co.uk W: www.timeled.co.uk



SPEC_781470_V1_JULY2020