

TIME LED[®]

UTILITY ULTRA PANEL - ECO - COOL WHITE

SPECIFICATION SHEET

PRODUCT CODE: 783368

Powerful, slimline and lightweight, our range of LED panels is worth looking into. The panels bring you a range of innovative choices for commercial office lighting, retail and hospitality.

- Compatible with universal emergency modules
- Even distribution of flicker-free light
- Easy installation, no mounting kit required
- Simple retrofit directly onto T-bar ceiling grids
- Ultra-slim 9mm design
- Lightweight 2kg
- Maintenance free



PANEL



40W
EQUIVALENT



3200
LUMENS



120°
BEAM
ANGLE



NON-DIMMABLE



30,000 HOURS
LIFESPAN



3 YEARS
WARRANTY

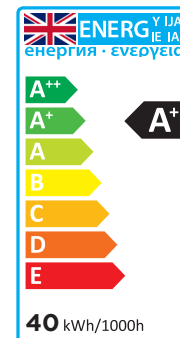
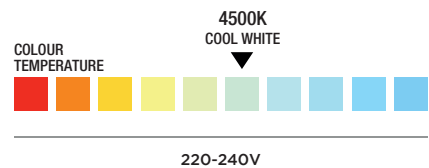
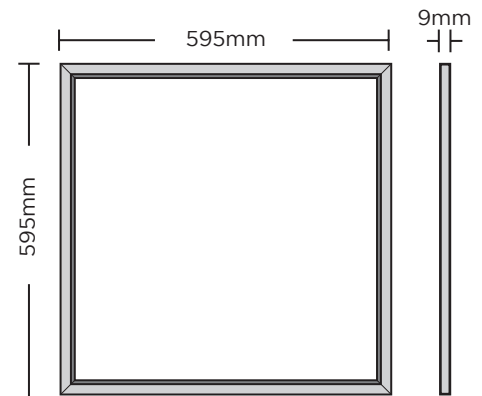


ENERGY
RATING

SPECIFICATION

Product code	783368
Bulb Type	SMD
Wattage	40W
Equivalent wattage	400W
Lumens	3200lm
Driver included	Yes
Dimmable	No
Beam Angle	120°
Length	595mm ²
Depth	9mm
Weight	2kg
Cut Out Size	575mm ²
Cable Length	10cm
Lifespan	30,000 Hours
Warranty	5 Years
Energy consumption	40kWh/1000h
Energy rating	A+
Material	Aluminum & Iron
Packaging	Brown Box & Colour Sticker
IP Rating	IP20

Voltage	220-240V
Current	AC
Power	40W
CCT	4500K
Ra	80
Lumens per watt	80lm/W
Colour tolerance	<6
Power factor	0.9
Input frequency	50Hz



TIME LED is part of Pitacs Limited

Bradbourne Point, Bradbourne Drive, Tilbrook, Milton Keynes, Buckinghamshire MK7 8AT

T: +44 (0)1908 271155 F: +44 (0)1908 640017 E: info@timeled.co.uk W: www.timeled.co.uk



SPEC_783368_V2_JAN2021