

# TIME LED<sup>®</sup>

## Prestige GU10 LED IP20 Fire Rated Downlight Can

### Installation and Operating Instructions



Read and follow instructions before operating your LED Downlight.  
Save this manual for future reference.

Package includes:  
1 X Prestige GU10 LED IP20 Fire Rated Downlight Can  
1 x Manual  
\*Bulb not included

#### Safety:

- Installation of this luminaire should only be carried out by a qualified electrician or competent person to the current building and IEE Wiring Regulations (BS7671).
- Before installation/maintenance, ensure that all mains supply to the luminaire is switched off and the circuit fuses are removed or switched off.
- Check the total load on the circuit (including when this luminaire is fitted) does not exceed the rating of the circuit cable, fuse or circuit breaker.
- Please note the IP (Ingress of Protection) rating of this luminaire when deciding the location for installation.
- This product is IP20.
- Luminaire is not suitable for use with blanket installation.
- Suitable for kitchen, bathroom and shower room use.
- This product is only suitable for indoor use only and should not be fitted to damp or wet surfaces such as freshly plastered or painted walls.

INS-778111-778128-V2

TIME LED is part of Pitacs Limited. For customer support contact:

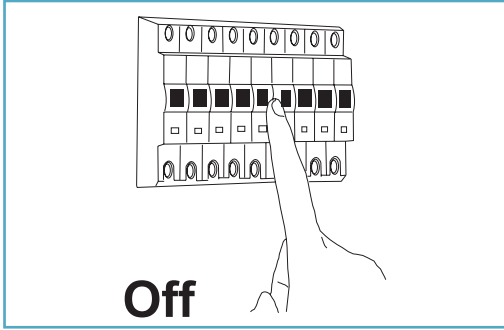
Bradbourne Point, Bradbourne Drive, Tilbrook, Milton Keynes, Buckinghamshire MK7 8AT

T: +44 (0)1908 271155 F: +44 (0)1908 640017 E: [info@timeled.co.uk](mailto:info@timeled.co.uk) W: [www.timeled.co.uk](http://www.timeled.co.uk)

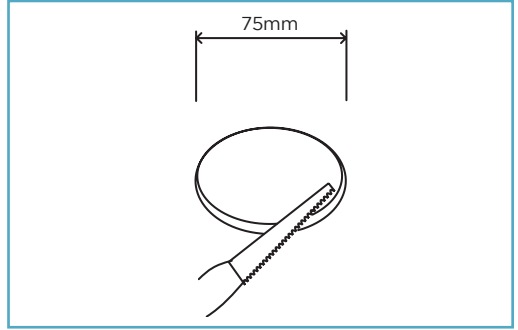


Product Code	Bezel Colour	Lifespan	Size (mm)	Cut out size (mm)	Warranty	IP Rating
778111	Matt White	5,000 Hours	Ø87x118	Ø75	1 Year	IP65
787128	Satin Nickel					

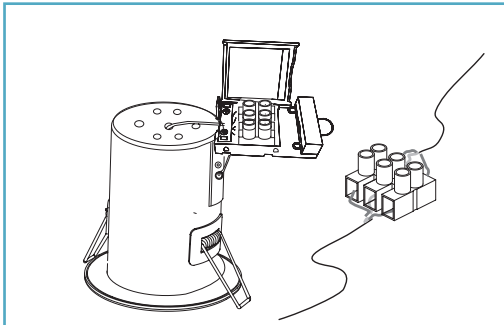
**Installation Instructions:**



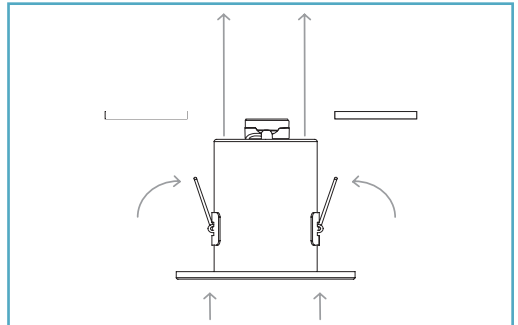
1) Ensure mains supply is disconnected.



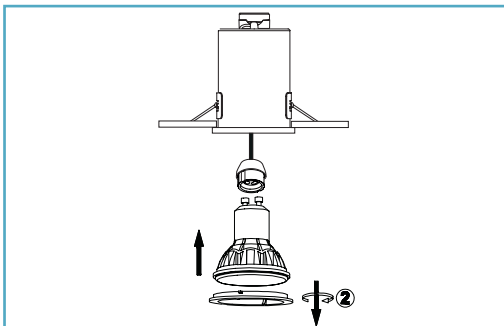
2) With a suitable position identified, carefully cut-out the recommended size based on the model you are installing.



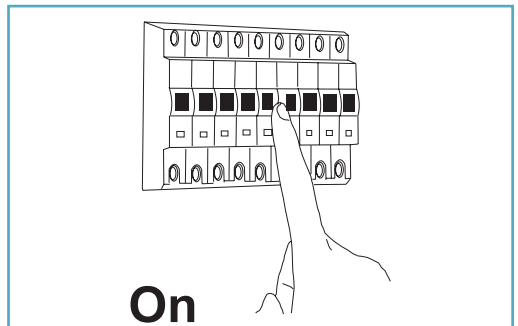
3) Connect the electrical supply cable, observing the correct polarity. (Live = Brown, Neutral = Blue)



4) Push the spring clips upwards and insert downlight can into the ceiling hole previously cut-out. The clips will flip back and secure the can to the ceiling.



3) Connect the electrical supply cable, observing the correct polarity. (Live = Brown, Neutral = Blue)



4) Push the spring clips upwards and insert downlight can into the ceiling hole previously cut-out. The clips will flip back and secure the can to the ceiling.

**Fire Rating:**

- Approved to: BS476 Part 21
- Building Regulations Document B2 determines the ceiling type that is required depending of the type of building under construction.
- The ceiling types are designed to provide protection to the floor above in the case of fire for a duration specified by the document.
- 778111 & 778128 passed the 90, 60 and 30 minute fire rated test as tested by the British Test Centre.

**WARNING:**

- Do not attempt to disassemble the downlight can.
- Do not attempt to cover the fitting used with any insulation materials.
- Light fixture must be used in accordance to the voltage rate and frequency indicated on the product.

**Cleaning:**

- Do not use any chemical or abrasive cleaners.
- Clean product with a soft, dry cloth only.

**Warranty:**

- This product is warranted to be free of defects in materials, design and workmanship for 5 years from the date of purchase (conditions apply, please see TIME LED website for further details). If a suspected fault should develop in this time, please contact us via the address on the front.

**Recycling Advice:**

Waste Electrical products should not be disposed of with household waste. Please recycle where facilities exist. Check with your local authority or retailer for recycling advice.

Full Technical specification available upon request. Contact [info@timeled.co.uk](mailto:info@timeled.co.uk) for PDF.