

TIME LED®

Round Fire Hood

Installation and Operating Instructions



Read and follow instructions before operating your fire hood.
Save this manual for future reference.

Package includes:

- 1 x Round Fire Hood
- 1 x Manual

Important Information:

- Please ensure you have the correct clearances around luminaires and adequate void space.
- Using fire hoods that are too small will not allow the luminaire to cool efficiently. This will affect the lamp life and could cause damage to the luminaire.
- Please refer to the minimum clearances in these instructions to ensure you are using the correct size fire hood.
- Keep insulation or flammable materials away from the area to be covered by the fire hood.
- Always allow good ventilation around the luminaire and fire hood, never cover any product with any insulation material.

INS-780862-V1

TIME LED is part of Pitacs Limited. For customer support contact:

Bradbourne Point, Bradbourne Drive, Tilbrook, Milton Keynes, Buckinghamshire MK7 8AT

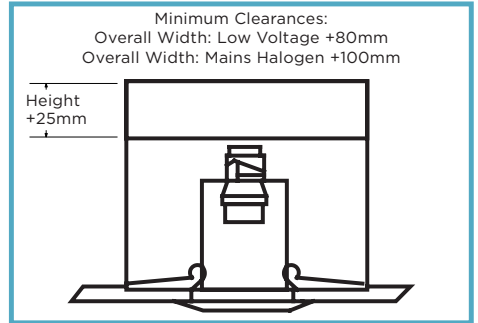
T: +44 (0)1908 271155 F: +44 (0)1908 640017 E: info@timeled.co.uk W: www.timeled.co.uk



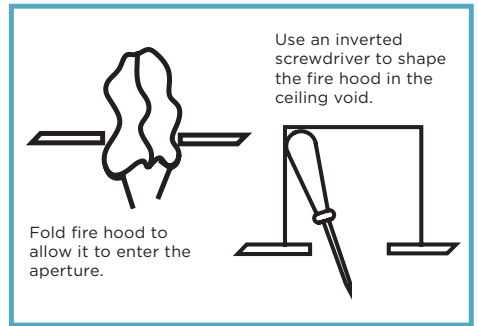
Product Code	780862
Size (mm)	150x150x150
Colour	White
Minimum Clearances	Overall Width: Low Voltage +80mm Overall Width: Mains Halogen +100mm
Fire Rating Information	BS476 Part 23 Compliant. Covered for 66 minutes of Fire Protection.

Instructions for new installations:

1) Grasp the fire hood by its sides and carefully fold inwards to reduce its bulk. Push it through the aperture with its top uppermost, ensure that a grip on the fitting straps is maintained through the process.

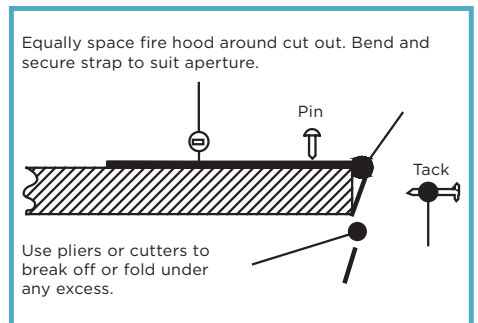


2) Whilst in the ceiling void, carefully shape the fire hood with an inverted screwdriver handle (or similar blunt object), push it up into the fire hood and move it around to completely open out the cover.



Note: Do not use any sharp tools as this may damage the product.

3) Secure the fire hood: Hold the fitting straps, align pins or tacks with the plasterboard and push through the hole and into the plasterboard. Any excess material on the straps can be removed or secured so that it will not intervene with the installation, luminaire or performance.



Recycling Advice:

Waste Electrical products should not be disposed of with household waste. Please recycle where facilities exist. Check with your local authority or retailer for recycling advice.

Full Technical specification available upon request. Contact info@timeled.co.uk for PDF.