

# TIME LED<sup>®</sup>

## Elements Range: 22W LED Twin NCF (2ft)

### Installation and Operating Instructions



22W  
= 176W

2300  
LUMENS

4000K

IP65

Read and follow instructions before operating your light.  
Save this manual for future reference.

#### Package includes:

- 1 x Elements 22W LED Twin NCF (2ft)
- 1 x Manual

#### Features:

- Equipped with rubber protection gland and nylon cover protector
- Wiring specification: only use H07RN-3 x 1.0mm<sup>2</sup> (WARNING: Do Not Use PVC Cable)
- Degree of protection: IP65
- Suitable for ceiling mount or suspension
- Operating voltage: AC 220-240 Volts / 50/60 Hz
- LED Lamp
- Class I Luminaire.

#### Safety:

- Electrical work, including installation and repair, must always be completed by a qualified technician.
- Disconnect the lamp from the mains supply, and let the product cool down before you replace the light source.
- Never touch the light source when the lamp is turned on.
- In case of product failure, disconnect the lamp from the mains supply.
- The product is not suitable for connecting through to multiple units.

INS-780961-V1

TIME LED is part of Pitacs Limited. For customer support contact:

Bradbourne Point, Bradbourne Drive, Tilbrook, Milton Keynes, Buckinghamshire MK7 8AT

T: +44 (0)1908 271155 F: +44 (0)1908 640017 E: [info@timeled.co.uk](mailto:info@timeled.co.uk) W: [www.timeled.co.uk](http://www.timeled.co.uk)



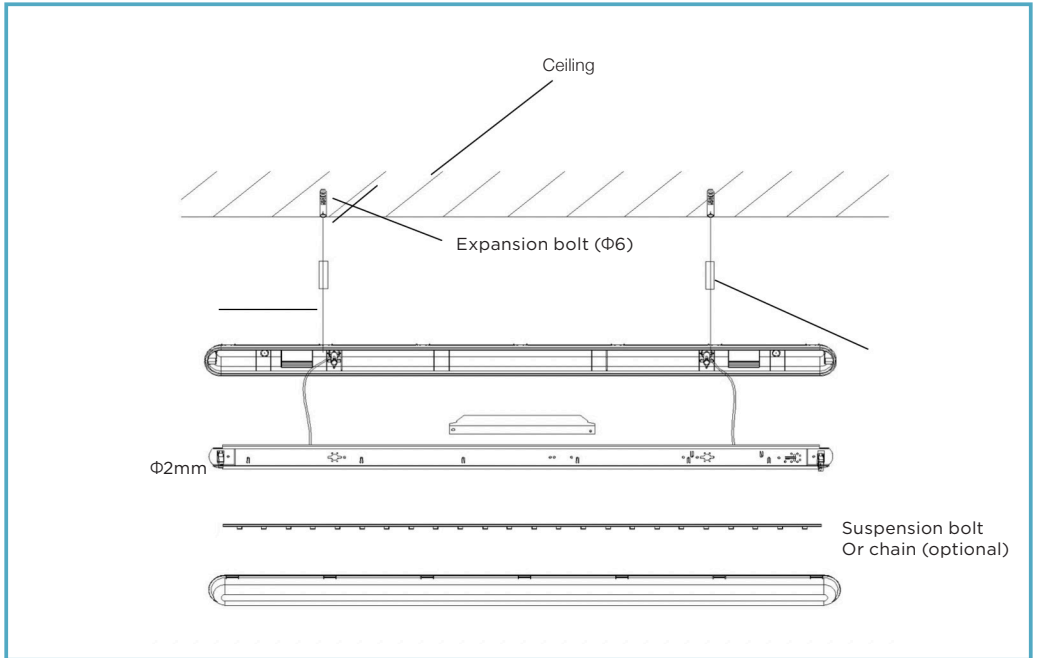
Product Code	780961
Size (mm)	670x104x70
Lamp	SMD
Watts	22W
Equivalent Watts	176W
Lumens	2300±5%
Lifespan	25000 hours
Beam Angle	120°
IP Rating	IP65

Colour Temp	4000K Cool White
Material	PC
Dimmable	No
Class	Class I
Voltage/Hertz	220-240V 50/60Hz
Warranty	3 Years
Energy Rating	A+

### Application:

Suitable for usage in:

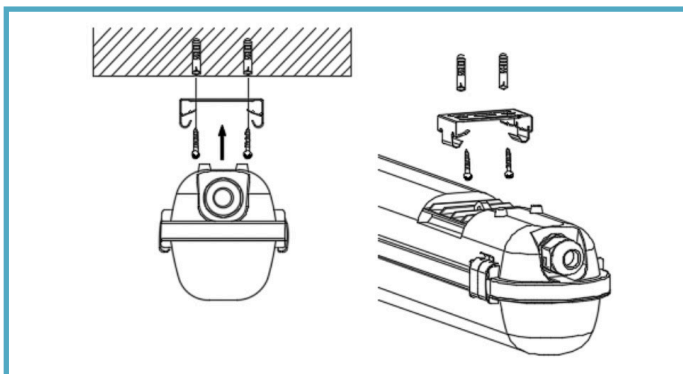
- Outdoor and moisture exposed environments
- Indoors



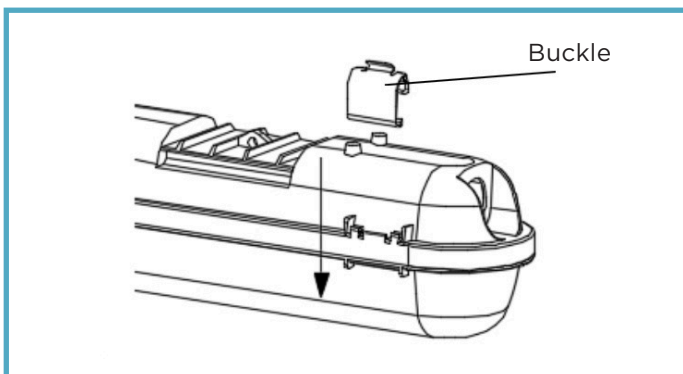
**Installation:**

Note: When installing the suspension bolt or chain, ensure all apertures are fully sealed to maintain IP integrity.

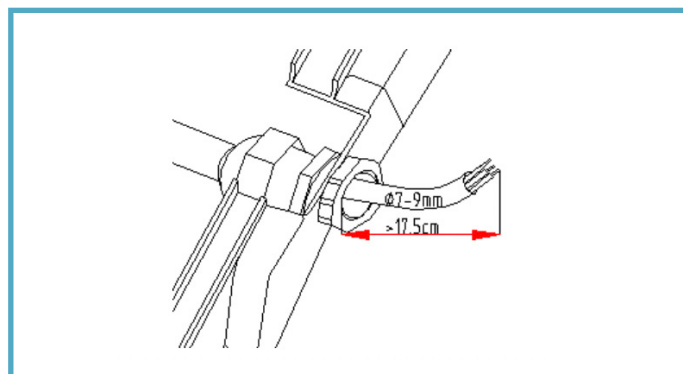
1. Open locking buckle



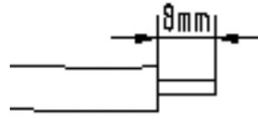
2. Install locking buckle



3) The cable gland should be fitted tightly after installing the power cord. The length of the main cable fed into the lamp through the gland should be no less than 17.5cm.

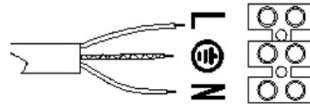


4) Bare conductor length: 8mm



5) Connect supply lead with terminal: Brown (L) to (L); Blue (N) to (N) and Green/yellow (⊕) to (⊕)

Note: the green/yellow lead must be longer than the brown and blue lead.



#### Cleaning:

- Do not use any chemical or abrasive cleaners.
- Clean product with only a soft dry cloth.

#### Warranty:

- This product is warranted to be free of defects in materials, design and workmanship for 3 years from the date of purchase (conditions apply, please see TIME LED website for further details). If a suspected fault should develop in this time, please contact us via the address on the front.

#### Recycling Advice:

Waste Electrical products should not be disposed of with household waste. Please recycle where facilities exist. Check with your local authority or retailer for recycling advice.

Full Technical specification available upon request. Contact [info@timeled.co.uk](mailto:info@timeled.co.uk) for PDF.