

TIME LED®

Ambient 5m LED IP68 RGB Soft Strip Light with Remote 24V

Installation and Operating Instructions



Read and follow instructions before operating your LED Strip Light.
Save this manual for future reference.

Package includes:

- 1 x Ambient 5m LED IP68 RGB Soft Strip Light 24V
- 1 x Remote
- 1 x Manual

Safety:

- Installation of this luminaire should only be carried out by a qualified electrician or competent person to the current building and IEE Wiring Regulations (BS7671).
- Before installation/maintenance, ensure that all mains supply to the luminaire is switched off and the circuit fuses are removed or switched off.
- Check the total load on the circuit (including when this luminaire is fitted) does not exceed the rating of the circuit cable, fuse or circuit breaker.
- Please note the IP (Ingress of Protection) rating of this luminaire when deciding the location for installation.
- This product is IP68.

INS-781050-V2

TIME LED is part of Pitacs Limited. For customer support contact:

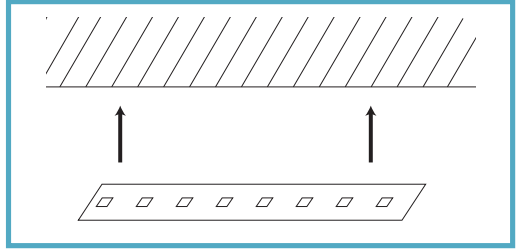
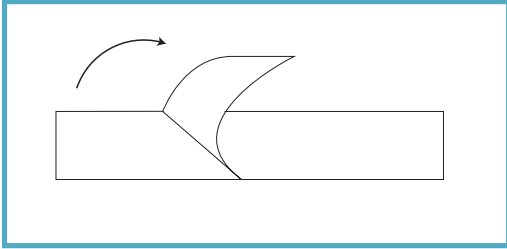
Bradbourne Point, Bradbourne Drive, Tilbrook, Milton Keynes, Buckinghamshire MK7 8AT

T: +44 (0)1908 271155 F: +44 (0)1908 640017 E: info@timeled.co.uk W: www.timeled.co.uk

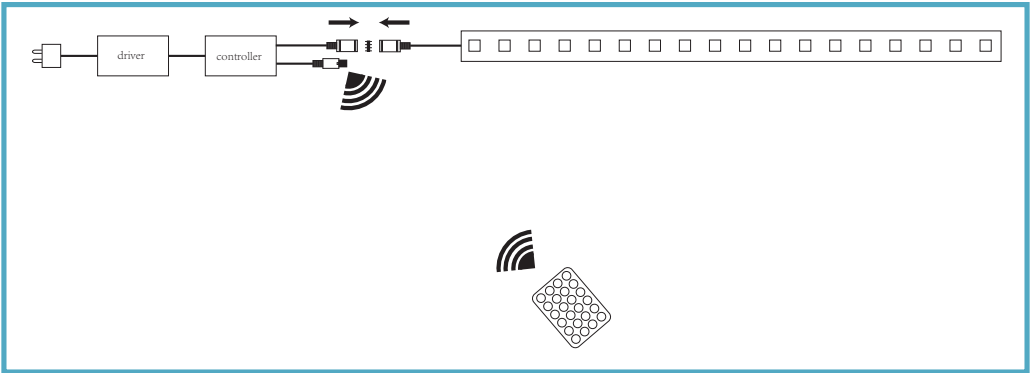


Product Code	781050
Size	Length: 5 metres Height: 4mm Width: 12mm
Watts	7.2W/m
Dimmable	No
Cable Length	15cm

Lifespan	25000 Hours
Colour Temp	RGB
Material	FPC
IP Rating	IP68
Voltage	DC24V
Warranty	3 Years

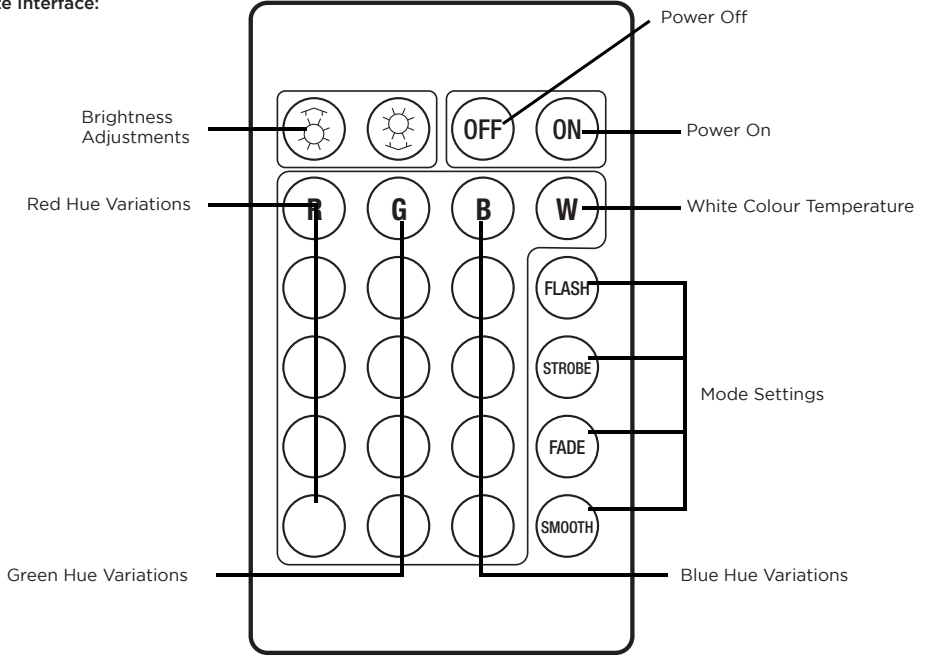


1) Peel the backing off all strips to reveal the adhesive coating. Carefully secure the strip to the surface in the required position.



2) Connect the LED strip to the IR Controller by carefully inserting the 4 pin connector into each female input, aligning the arrows on each side. Connect the IR controller to an appropriate driver.

Remote Interface:



Cleaning:

- Do not use any chemical or abrasive cleaners.
- Clean product with a soft, dry cloth.

Warranty:

- This product is warranted to be free of defects in materials, design and workmanship for 3 years from the date of purchase (conditions apply, please see TIME LED website for further details). If a suspected fault should develop in this time, please contact us via the address on the front.

Recycling Advice:

Waste Electrical products should not be disposed of with household waste. Please recycle where facilities exist. Check with your local authority or retailer for recycling advice.

Full Technical specification available upon request. Contact info@timeled.co.uk for PDF.