

TIME LED[®]

Elements 150W UFO Highbay Installation and Operating Instructions



Read and follow instructions before operating your light. Save this manual for future reference.

Package includes:

- 1 x Black 150W UFO Highbay
- 1 x Mounting Hook
- 1 x Manual

Safety:

- This highbay must be earthed.
- Before installation or maintenance, ensure that the mains supply to the highbay is switched off and the circuit supply fuses are removed or circuit breaker turned off.
- Check that the total load on the circuit, including when this highbay is fitted, does not exceed the rating of the circuit cable fuse of the circuit breaker.

Cleaning:

- Do not use any chemical or abrasive cleaners.
- Clean product with only a soft dry cloth.
- Cleaning should be carried out at regular intervals so as not to impair performance or thermal safety of the luminaire.

Warning:

- This product is not a toy and contains small parts.

Warranty:

- This product is warranted to be free of defects in materials, design and workmanship for 5 years from the date of purchase (conditions apply, please see TIME LED website for further details). If a suspected fault should develop in this time, please contact us via the address below.

Recycling Advice:

Waste Electrical products should not be disposed of with household waste. Please recycle where facilities exist. Check with your local authority or retailer for recycling advice.

Installation of this luminaire should only be carried out by a qualified electrician or competent person to the current Building and IEE Wiring Regulations (BS7671).

INS-790229-V2

TIME LED is part of Pitacs Limited. For customer support contact:

Bradbourne Point, Bradbourne Drive, Tilbrook, Milton Keynes, Buckinghamshire MK7 8AT

T: +44 (0)1908 271155 F: +44 (0)1908 640017 E: info@timeled.co.uk W: www.timeled.co.uk

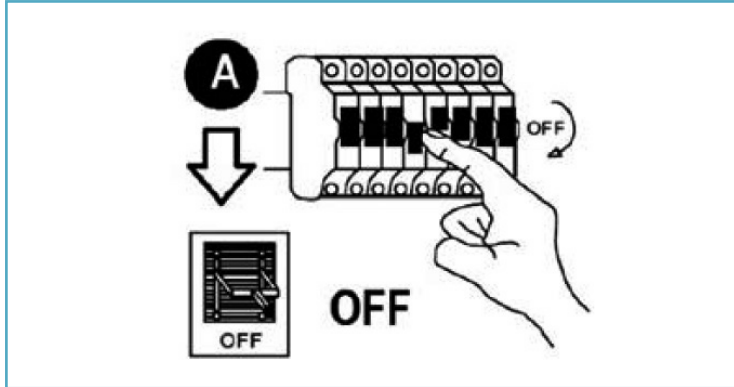


| | |
|--------------------|----------|
| Product Code | 790229 |
| Size (mm) | Ø310x108 |
| Lamp | SMD 2835 |
| Watts | 150W |
| Equivalent Wattage | 300W |
| Cable Length | 2m |

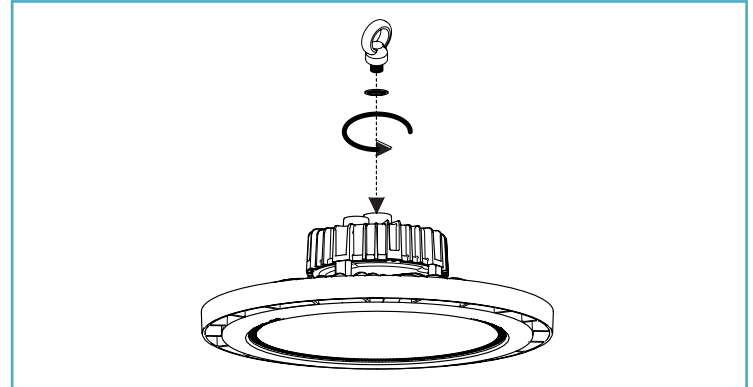
| | |
|-------------|-------------------|
| Lumens | 22,500lm |
| IP Rating | IP65 |
| Colour Temp | 6000K Daylight |
| Beam Angle | 110° |
| Material | Aluminium & Glass |
| Temperature | -20°C to 45°C |

| | |
|---------------|--------------|
| Dimmable | No |
| Voltage | 100-277V |
| Lifespan | 50,000 hours |
| Warranty | 5 Years |
| Energy Rating | A+ |

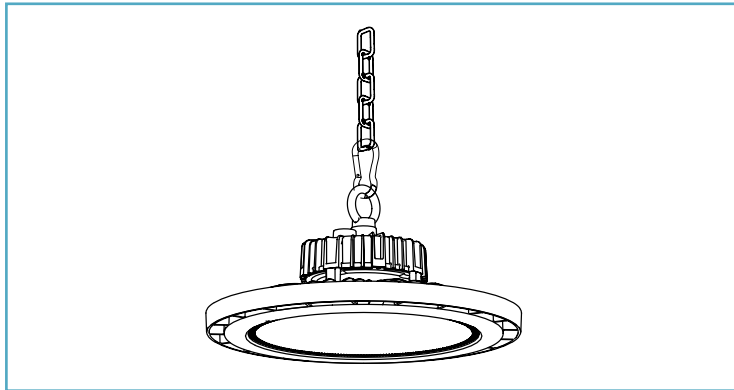
Instructions for new installations:



1) Ensure mains supply is switched off before installation.

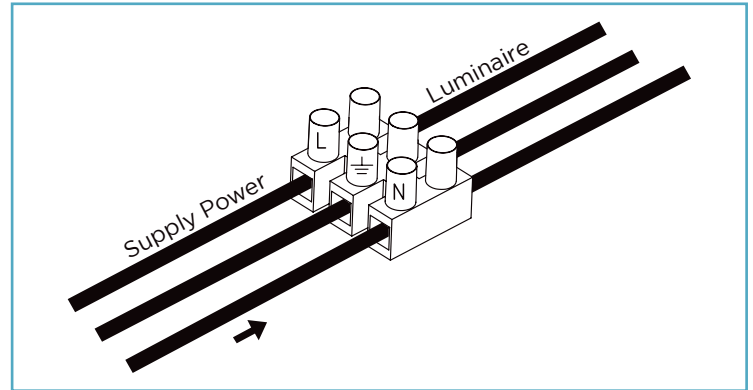


2) Attach enclosed mounting hook, ensuring you tighten to a torque setting of no less than 8.5 Nm.

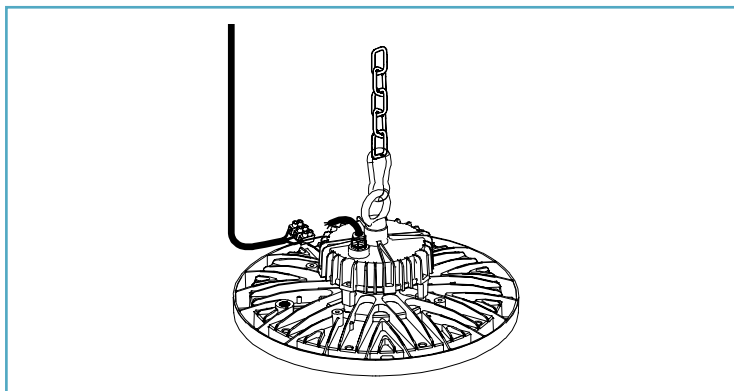


3) Check that mounting method is of suitable weight rating to support the luminaire safely. Allow additional length within mounting if the designated location is affected by air movement, which could cause the luminaire to swing or rotate.

DO NOT use the power cable to support the weight of the luminaire during mounting.



4) Connect mains power to the luminaire using a straight screwdriver to fix the wire into the right position. L to brown cable, N to blue cable, Green/Yellow as earth cable.



5) Once mains power is connected, check connection is correct by switching the power supply on.

Full Technical specification available upon request. Contact info@timeled.co.uk for PDF.