

Installer and Maintenance Record:

Installer:.....

Installation:..... Type:

Installation Test Duration & Date:

Month	Test	1st Year		2nd Year		3rd Year		4th Year		5th Year	
		Signed	Date	Signed	Date	Signed	Date	Signed	Date	Signed	Date
1	Short										
2	Short										
3	Short										
4	Short										
5	Short										
6	Short										
7	Short										
8	Short										
9	Short										
10	Short										
11	Short										
12	1 Hour										
	3 Hours										

Full Technical specification available upon request. Contact info@timeled.co.uk for PDF.

TIME LED®

Guardian 5W Emergency Bulkhead

TIME LED®

Guardian 5W Emergency Bulkhead

Installation and Operating Instructions



5W

IP65

3 YEARS WARRANTY

25,000 HOURS LIFESPAN

Read and follow instructions before operating your light. Save this manual for future reference.

Package includes:

- 1 x Guardian 5W Emergency Bulkhead
- 1 x Manual

Safety:

- This product must be installed in accordance with the latest edition of the IEE Wiring Regulations (BS7671) and current Building Regulations. If in any doubt, consult a qualified electrician.
- Isolate mains prior to installation or maintenance.
- Check the total load on the circuit (including when this luminaire is fitted) does not exceed the rating of the circuit cable, fuse or circuit breaker.
- This product is IP65 rated.
- The LEDs fitted in this product are non-replaceable.
- This product is non-dimmable.

INS-793497-V1

TIME LED is part of Pitacs Limited. For customer support contact:

Bradbourne Point, Bradbourne Drive, Tilbrook, Milton Keynes, Buckinghamshire MK7 8AT

T: +44 (0)1908 271155 F: +44 (0)1908 640017 E: info@timeled.co.uk W: www.timeled.co.uk



Product Code	793497
Size (mm)	352 x 68 x 110
Colour Temp	6500K Daylight
Lifespan	25,000 Hours
Warranty	3 Years
Energy Rating	A

IP Rating	IP65
Material	PC
Emergency Battery	Ni-Cad 3.6v 1500mAh
Charging Time	24 Hours
Emergency Discharge Time	3 Hours
Battery Life	4 Years

Instructions for new installations:

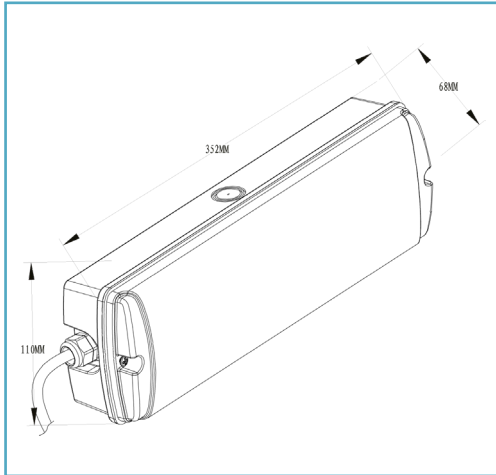


Figure 1

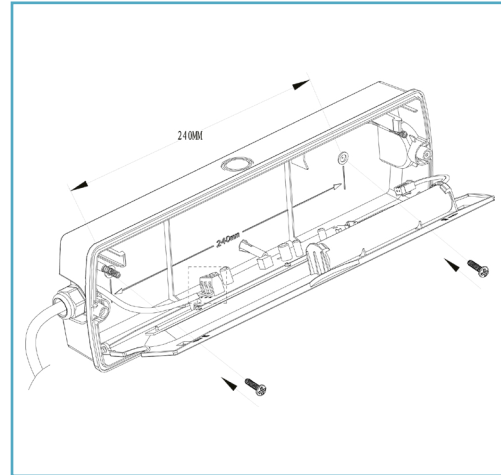


Figure 2

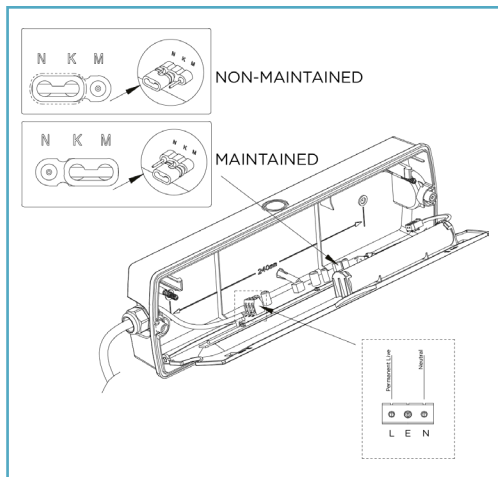


Figure 3

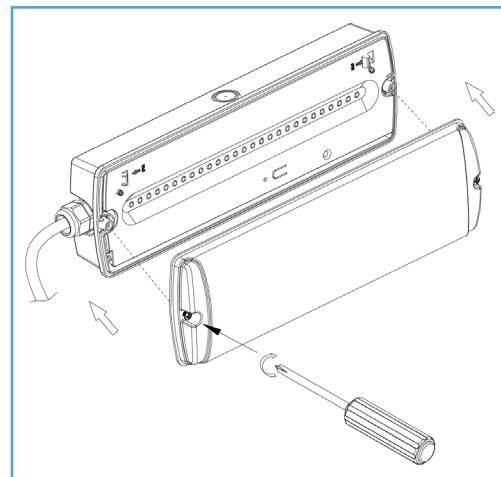


Figure 4

Testing:

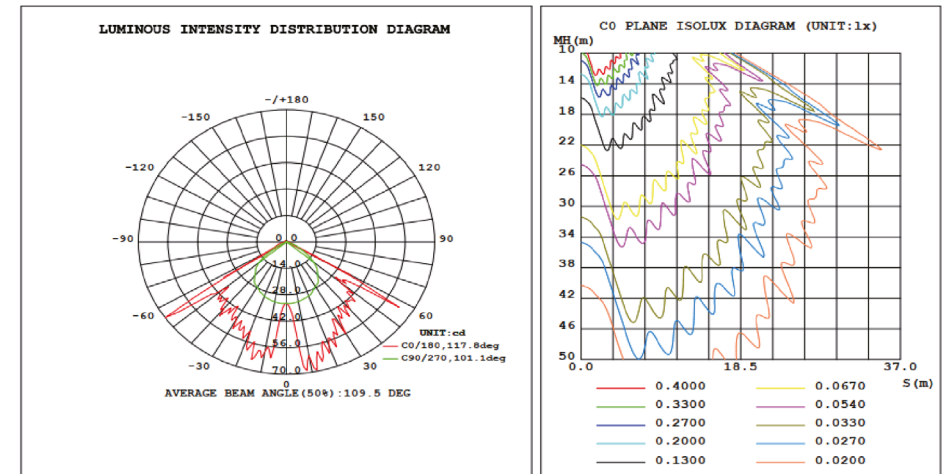
The emergency lighting must be inspected and tested regularly in accordance with local codes of practice.

Note: For safety reasons, tests should be carried out during day light hours. The testing should be done in a dry environment and by a qualified person.

Move the plastic diffuser, press the test button to simulate failure of mains power; the emergency light should come on and driven by battery. The minimum recommended test schedule is as follows: After installation, allow 36 hours to ensure full battery charge and then interrupt the supply; check after 3 hours that the luminaire is still lit.

Recommended Checks:

1. Daily check that charge indicator LED is working
2. Monthly interrupt mains for a short period and check LED lights
3. Six-monthly, check 1 hour duration
4. At the end of the year and subsequently every year; check 3 hour duration: batteries must be replaced when they can no longer support 3 hour operation.
5. The included Maintenance Record should be updated with on going test records for inspection by a fire officer or other authorized person.



Cleaning:

- Do not use any chemical or abrasive cleaners.
- Clean product with only a soft dry cloth.

Warning:

- This product shall be installed by a licenced electrician in compliance with the requirements set out in AS/NZS 3000 (current edition) and other relevant Standards and Regulations pertaining to the installation.
- This product must only be used for the purpose outlined in this instruction manual.
- Prior to installing this product, check the product has not been damaged during transport. Do not operate/install the product if any damage is visible in any way. Return complete product to place of purchase for inspection, repair or replacement.

Warranty:

This product is guaranteed against faulty workmanship and material for a period of 3 years from date of installation. TIME LED at its discretion will repair, replace or offer a refund for any defective product. Any alterations or modifications to this product without permission will void warranty. TIME LED will not be responsible for cost of removing, retrieving, reinstalling and installation of any replacements.

Recycling Advice:

Waste Electrical products should not be disposed of with household waste. Please recycle where facilities exist. Check with your local authority or retailer for recycling advice.