

**Replacement:**

The battery is non-replaceable, when it no longer meets the rated duration of operation after the corresponding recharge period, the whole luminaire needs to be replaced.  
 The light source contained in this luminaire must only be replaced by the manufacturer.  
 If the flexible cable of this luminaire is damaged, the whole luminaire needs to be replaced in order to avoid a hazard.

**Cleaning:**

- Do not use any chemical or abrasive cleaners.
- Clean product with only a soft dry cloth.
- Clean product at regular intervals.

**Warning:**

- This product is not a toy and contains small parts.
- This product is unsuitable for installation in or near coastal and marine environments.

**Warranty:**

This product is warranted to be free of defects in materials, design and workmanship for 3 years from the date of purchase (conditions apply, please see TIME LED website for further details). If a suspected fault should develop in this time, please contact us via the address on the front.

**Recycling Advice:**

Waste Electrical products should not be disposed of with household waste. Please recycle where facilities exist. Check with your local authority or retailer for recycling advice.

# TIME LED<sup>®</sup>

## Guardian Surface Mounted 5W Emergency Downlight

### Installation and Operating Instructions



Read and follow instructions before operating your light.  
 Save this manual for future reference.

**Package includes:**

- 1 x Guardian Surface Mounted 5W Emergency Downlight
- 1 x Manual

**Safety:**

- This product must be installed in accordance with the latest edition of the IEE Wiring Regulations (BS7671) and current Building Regulations. If in any doubt, consult a qualified electrician.
- Isolate mains prior to installation or maintenance.
- Check the total load on the circuit (including when this luminaire is fitted) does not exceed the rating of the circuit cable, fuse or circuit breaker.
- This product is IP20 rated and suitable for interior installations only.
- The LEDs fitted in this product are non-replaceable.
- This product is non-dimmable.

INS-793503-V1

Full Technical specification available upon request. Contact [info@timeled.co.uk](mailto:info@timeled.co.uk) for PDF.

# TIME LED<sup>®</sup>

## Guardian Surface Mounted 5W Emergency Downlight

**TIME LED is part of Pitacs Limited. For customer support contact:**

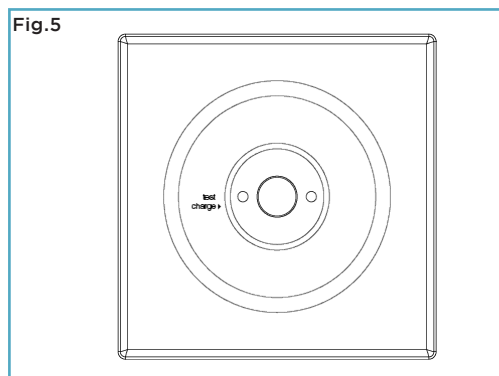
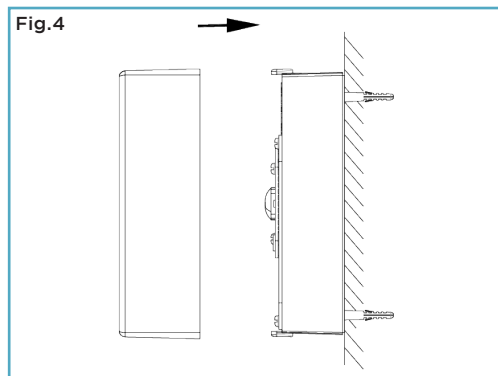
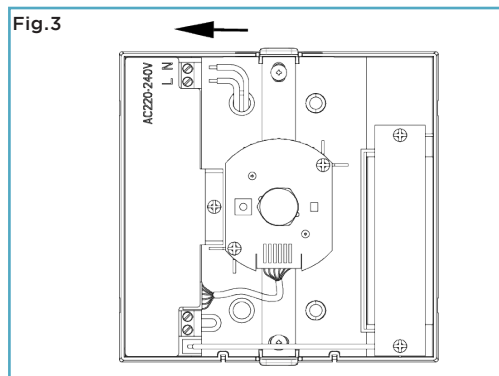
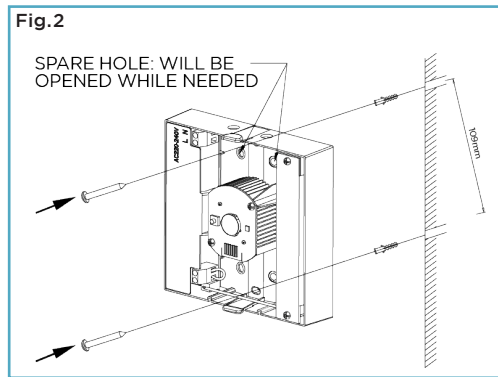
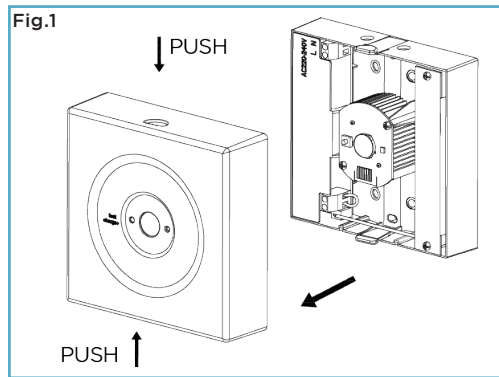
Bradbourne Point, Bradbourne Drive, Tilbrook, Milton Keynes, Buckinghamshire MK7 8AT

T: +44 (0)1908 271155 F: +44 (0)1908 640017 E: [info@timeled.co.uk](mailto:info@timeled.co.uk) W: [www.timeled.co.uk](http://www.timeled.co.uk)



Product Code	793503
Size (mm)	130 x 39
Watts	5W
Lumens	250lm
IP Rating	IP20
Beam Angle	140°
Dimmable	No
Lifespan	25,000 Hours

Material	PC + Aluminium
Net Weight	0.33kg
Voltage	220-240v
Input Frequency	50/60Hz
Current (A)	30mA
Colour Temp	6500k Daylight
Energy Rating	A
Warranty	3 Years



**Instructions for new installations:**

- 1) Open the shell (See Fig.1)
- 2) Select the appropriate fixing points as required, remove the knockout and pull the power cord through.
- 3) Fix the base to the mounting surface with screws and wall plugs. (See Fig.2)
- 4) Connect the power cord to the designated position as shown in the figure. If the cord is connected from the side, insert the cord into the lamp body through the side hole.
- 5) Select whether to connect continuous short wiring according to needs. (See Fig.3)
- 6) Check the inside of the lamp for any abnormalities before replacing the shell. Pay attention to the direction of the shell to ensure it is replaced at correct orientation. (See Fig.4)
- 7) Power-on test, please refer to Testing (see Fig.5) for specific operation.

**Testing:**

The emergency lighting must be inspected and tested regularly in accordance with local codes of practice. This product has both a manual and a self-test function.

**Note:**

For safety reasons tests should be carried out during day light hours by a qualified person. The test results should be recorded in accordance with current regulations.

- Flashing Green indicator - Product is in charging status
- Solid Green indicator - Product is fully charged status
- Solid Orange indicator - Product is in Monthly test
- Flashing Orange indicator - Product is in Annual test
- Sold / Flashing Red indicator- Product fault/Battery charge low

**Monthly Auto-test:**

When the product has been on charge for 30 days (±2 days), it will automatically enter monthly test mode, the indicator will change to solid orange and the lamp will illuminate. The product is now in monthly test mode. After 30 seconds the product will return to normal AC power, the lamp will turn off and the indicator will change to either solid green (Fully Charged), or flashing green (Charging), both green indicators confirm the product has passed its test. If a Fault is detected the indicator will turn to RED.

**Annual Auto-test:**

When the product has been on charge for 360 days (±2 days), it will automatically enter annual test mode, the indicator will change to flashing orange and the lamp will illuminate. The product is now in annual test mode. After 3 hours the product will return to normal AC power, the lamp will turn off and the indicator will change to either solid green (Fully Charged), or flashing green (Charging), both green indicators confirm the product has passed its test. If a Fault is detected the indicator will turn to RED.

**Manual Monthly test:**

Press the test button twice, the lamp will turn on and the indicator will change to solid orange and the lamp will illuminate. The product is now in monthly test mode. After 30 seconds the product will return to normal AC power, the lamp will turn off and the indicator will change to either solid green (Fully Charged), or flashing green (Charging), both green indicators confirm the product has passed its test. If a Fault is detected the indicator will turn to RED.

**Manual Annual test:**

Press the test button three times, the indicator will change to flashing orange and the lamp will illuminate. The product is now in annual test mode. After 3 hours the product will return to normal AC power, the lamp will turn off and the indicator will change to either solid green (Fully Charged), or flashing green (Charging), both green indicators confirm the product has passed its test. If a Fault is detected the indicator will turn to RED.

**Emergency Lamp Shutdown:**

Under emergency conditions, the luminaire can be turned off by pressing the test switch for 3-5 seconds.