

Cleaning:

- Do not use any chemical or abrasive cleaners.
- Clean product with only a soft dry cloth.
- Clean product at regular intervals.

Warning:

- This product is not a toy and contains small parts.
- This product is unsuitable for installation in or near coastal and marine environments.

Warranty:

This product is warranted to be free of defects in materials, design and workmanship for 3 years from the date of purchase (conditions apply, please see TIME LED website for further details). If a suspected fault should develop in this time, please contact us via the address on the front.

Recycling Advice:

Waste Electrical products should not be disposed of with household waste. Please recycle where facilities exist. Check with your local authority or retailer for recycling advice.

TIME LED[®]

Guardian Recessed 3W Emergency Downlight

Installation and Operating Instructions



3W

IP20

3 YEARS
WARRANTY

25,000
HOURS
LIFESPAN

Read and follow instructions before operating your light.
Save this manual for future reference.

Package includes:

- 1 x Guardian Recessed 3W Emergency Downlight
- 1 x Manual

Safety:

- This product must be installed in accordance with the latest edition of the IEE Wiring Regulations (BS7671) and current Building Regulations. If in any doubt, consult a qualified electrician.
- Isolate mains prior to installation or maintenance.
- Check the total load on the circuit (including when this luminaire is fitted) does not exceed the rating of the circuit cable, fuse or circuit breaker.
- This product is IP20 rated and suitable for interior installations only.
- The LEDs fitted in this product are non-replaceable.
- This product is non-dimmable.

INS-793510-V1

Full Technical specification available upon request. Contact info@timeled.co.uk for PDF.

TIME LED[®]

Guardian Recessed 3W Emergency Downlight

TIME LED is part of Pitacs Limited. For customer support contact:

Bradbourne Point, Bradbourne Drive, Tilbrook, Milton Keynes, Buckinghamshire MK7 8AT

T: +44 (0)1908 271155 F: +44 (0)1908 640017 E: info@timeled.co.uk W: www.timeled.co.uk



Product Code	793510
Lamp	3535 SMD
Watts	3W
Lumens	150lm
IP Rating	IP20
Colour Temp	6500K Daylight
Lifespan	25,000 hours
Material	Mixed PC
Dimmable	No

Warranty	3 Years
Voltage/Hertz	220-240V 50/60Hz
Battery	LiFePo4 3.2V /1500mAh
Charge Voltage	2.5 - 3.6V
Charge Current	150mA
Charge	24 Hours
Discharge	3 Hours
Weight	0.22kg
Operating Mode	Non-maintained

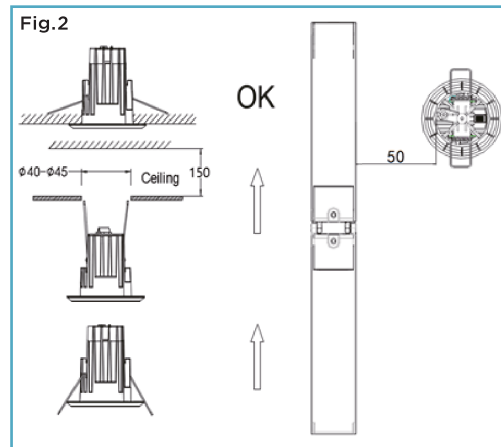
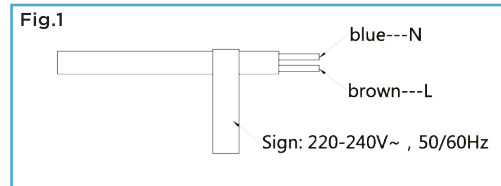
Instructions for new installations:

The light source contained in this luminaire shall only be replaced by the manufacturer or his service agent or a similar qualified person.

- 1) Measure and cut out accurately sized hole in ceiling as required; 40-45mm. (See Fig.2)
- 2) Connect the wiring as required according to below table. (See Fig.1)

Line	Illustrate	
AC	L	Brown Connect 'L'
	N	Blue Connect 'N'

- 4) Indicator light: under the state of power supply, the battery is charged with green light, the battery is full with green light, and the red light is flashing when the battery fails. See list below.
- 5) In the emergency state, long pressing the test button can turn off the emergency function.
- 6) Refer to the requirements and steps of "TESTING" for specific information



Testing:

The emergency lighting must be inspected and tested regularly in accordance with local codes of practice. This product has both a manual and a self-test function.

Note:

For safety reasons tests should be carried out during day light hours by a qualified person. The test results should be recorded in accordance with current regulations.

- Flashing Green indicator - Product is in charging status
- Solid Green indicator - Product is fully charged status
- Solid Orange indicator - Product is in Monthly test
- Flashing Orange indicator - Product is in Annual test
- Sold / Flashing Red indicator- Product fault/Battery charge low

Monthly Auto-test:

When the product has been on charge for 30 days (± 2 days), it will automatically enter monthly test mode, the indicator will change to solid orange and the lamp will illuminate. The product is now in monthly test mode. After 30 seconds the product will return to normal AC power, the lamp will turn off and the indicator will change to either solid green (Fully Charged), or flashing green (Charging), both green indicators confirm the product has passed its test. If a Fault is detected the indicator will turn to RED.

Annual Auto-test:

When the product has been on charge for 360 days (± 2 days), it will automatically enter annual test mode, the indicator will change to flashing orange and the lamp will illuminate. The product is now in annual test mode. After 3 hours the product will return to normal AC power, the lamp will turn off and the indicator will change to either solid green (Fully Charged), or flashing green (Charging), both green indicators confirm the product has passed its test. If a Fault is detected the indicator will turn to RED.

Manual Monthly test:

Press the test button twice, the lamp will turn on and the indicator will change to solid orange and the lamp will illuminate. The product is now in monthly test mode. After 30 seconds the product will return to normal AC power, the lamp will turn off and the indicator will change to either solid green (Fully Charged), or flashing green (Charging), both green indicators confirm the product has passed its test. If a Fault is detected the indicator will turn to RED.

Manual Annual test:

Press the test button three times, the indicator will change to flashing orange and the lamp will illuminate. The product is now in annual test mode. After 3 hours the product will return to normal AC power, the lamp will turn off and the indicator will change to either solid green (Fully Charged), or flashing green (Charging), both green indicators confirm the product has passed its test. If a Fault is detected the indicator will turn to RED.

Emergency Lamp Shutdown:

Under emergency conditions, the luminaire can be turned off by pressing the test switch for 3-5 seconds.

Replacement:

The battery is non-replaceable, when it no longer meets the rated duration of operation after the corresponding recharge period, the whole luminaire needs to be replaced. The light source contained in this luminaire must only be replaced by the manufacturer. If the flexible cable of this luminaire is damaged, the whole luminaire needs to be replaced in order to avoid a hazard.

Product Dimensions

