

TIME LED®

Elements Multibeam Highbay Sensor+ 150W Installation and Operating Instructions



Read and follow instructions before operating your light. Save this manual for future reference.

Package includes:
1 x Multibeam Highbay Sensor+ 150W
1 x Manual

Optional Product Add-ons:
• 303258 Microwave sensor
• 303265 Remote control

Safety:

- This highbay must be earthed.
- Before installation or maintenance, ensure that the mains supply to the highbay is switched off and the circuit supply fuses are removed or circuit breaker turned off.
- Check that the total load on the circuit, including when this highbay is fitted, does not exceed the rating of the circuit cable fuse of the circuit breaker.

Cleaning:

- Do not use any chemical or abrasive cleaners.
- Clean product with only a soft dry cloth.
- Cleaning should be carried out at regular intervals so as not to impair performance or thermal safety of the luminaire.

Warning:

- This product is not a toy and contains small parts.
- This product is unsuitable for installation in or near coastal and marine environments.

Warranty:

- This product is warranted to be free of defects in materials, design and workmanship for 5 years from the date of purchase (conditions apply, please see TIME LED website for further details). If a suspected fault should develop in this time, please contact us via the address below.

Recycling Advice:

Waste Electrical products should not be disposed of with household waste. Please recycle where facilities exist. Check with your local authority or retailer for recycling advice.

Installation of this luminaire should only be carried out by a qualified electrician or competent person to the current Building and IEE Wiring Regulations (BS7671).

INS-303234

TIME LED is part of Pitacs Limited. For customer support contact:

Bradbourne Point, Bradbourne Drive, Tilbrook, Milton Keynes, Buckinghamshire MK7 8AT
T: +44 (0)1908 271155 F: +44 (0)1908 640017 E: info@timeled.co.uk W: www.timeled.co.uk

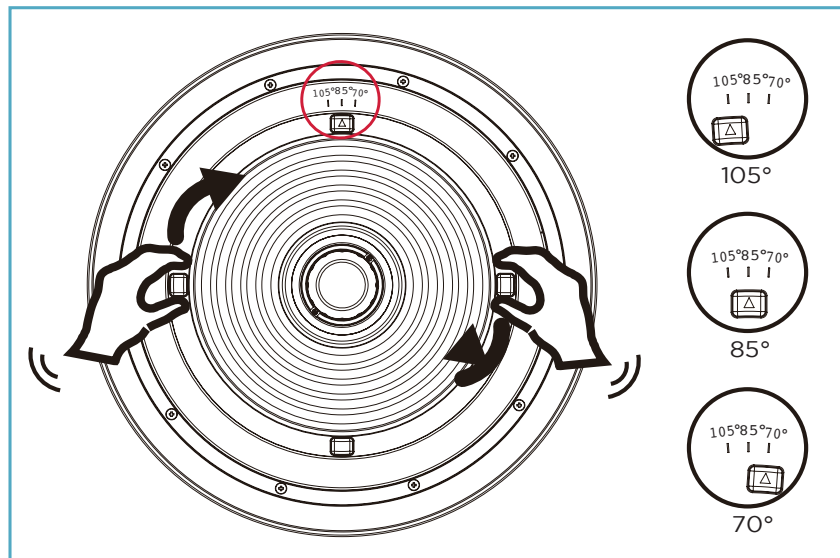
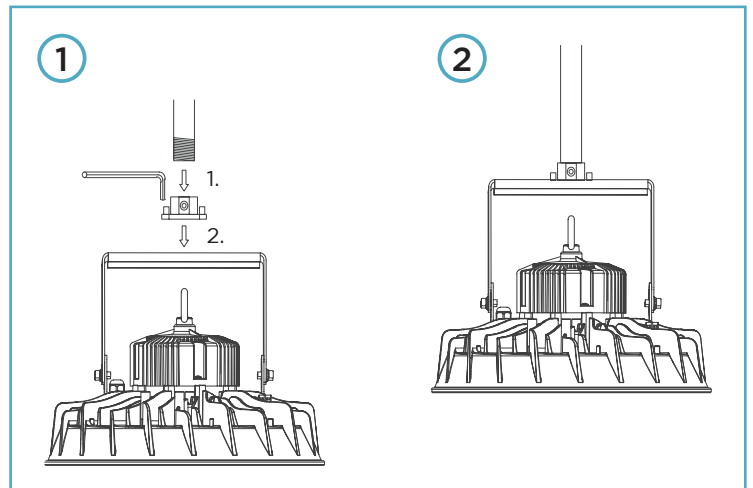
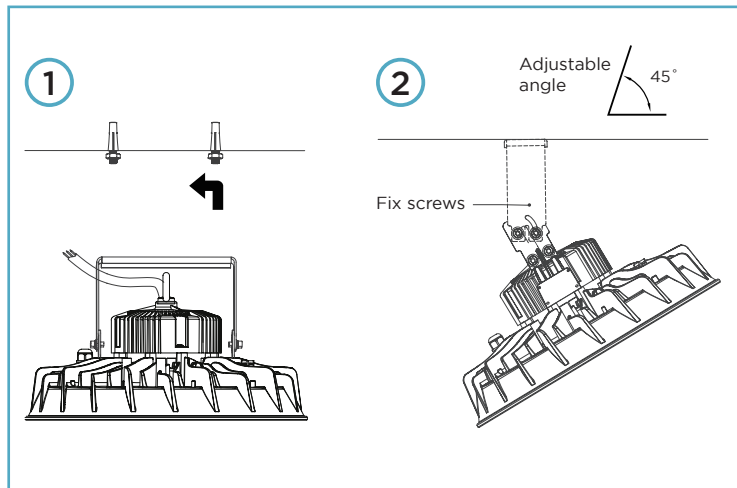
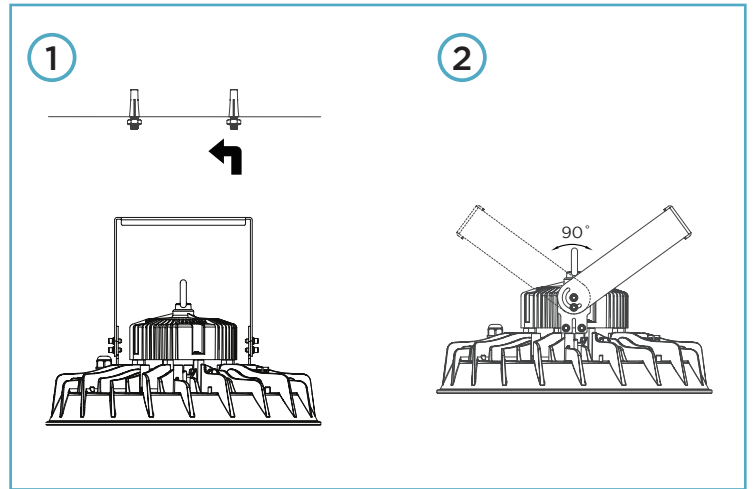
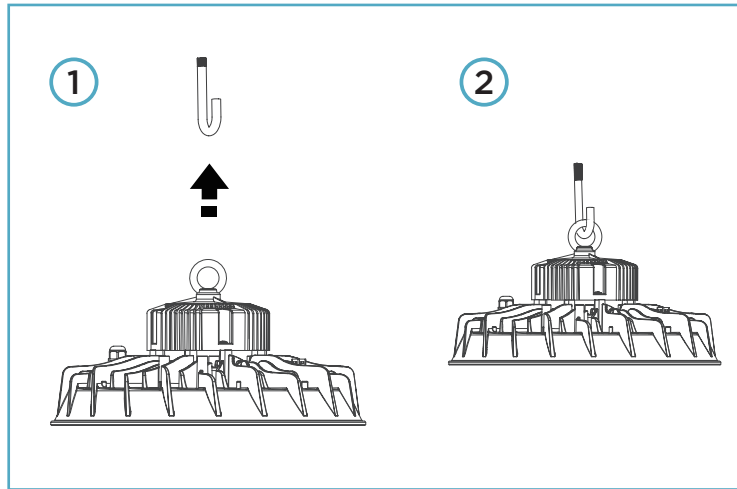


Product Code	303234
Size (mm)	Ø338x178 (Including hook)
Lamp	SMD 2835
Watts	150W
Equivalent Watts	1125W

Lumens	24,000 lm
IP Rating	IP65
Colour Temp	6000K Daylight
Beam Angle	Adjustable - 70° / 85° / 105°
Material	PC & Aluminium

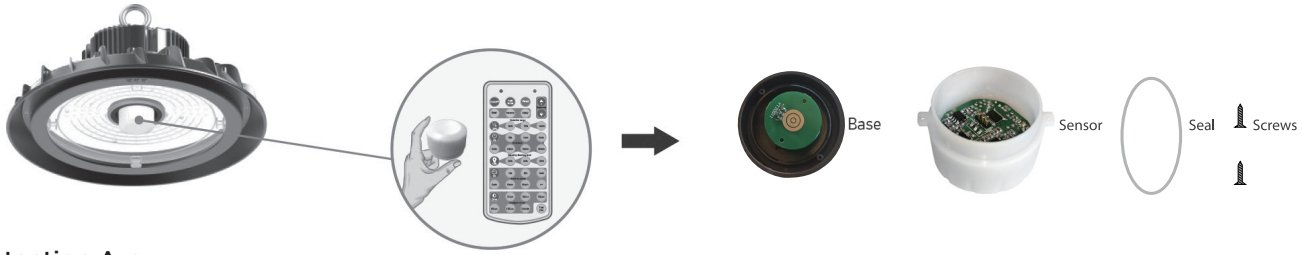
Dimmable	No
Voltage/Hertz	100-240V 50Hz
Lifespan	50,000 hours
Warranty	5 Years
Energy Rating	C

Instructions for new installations:



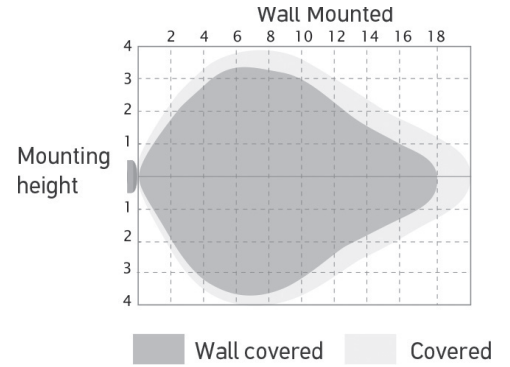
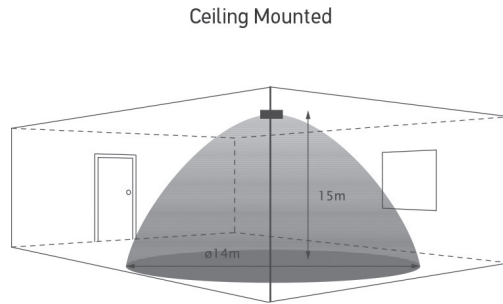
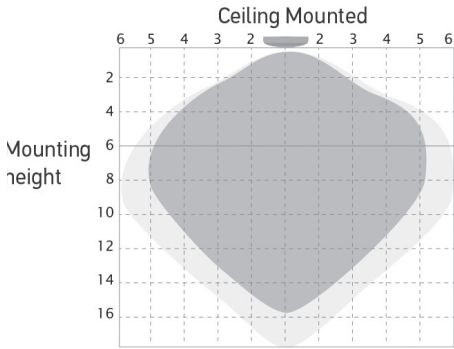
Full Technical specification available upon request. Contact info@timeled.co.uk for PDF.

Plug in Motion Sensor



Detection Area

Typical installation height 15m



Memory & Apply Mode

1. Press 'ON/OFF' button to turn the light on or off.
2. To reset the parameters, please follow the steps below.
 1. Press ON, to turn on light if it was off at start.
 2. Press 'Start' to the well starting sensor.
 3. Press the button of detection range, hold time, stand by dimming level, stand-by period and daylight threshold one after the other in squence.
 4. Press memory to memorise the settings.

NOTE: The interval of each parameter setting can be controlled within 30s.

3. To program other lights in the area that have similar sensors to the same programme.
 1. Press ON, to the second sensor.
 2. Press 'Apply'

Isolated Setting Mode (Typical installation height 15m)

1. Press 'ON/OFF' to turn the light on or off. Press 'Auto Mode', the remote will activate settings that were last saved or remain at the factory default settings.
2. To reset the parameters, please follow the steps below.
 1. Press ON, to turn on light if it was off at start.
 2. Press any button 'Auto Mode', 'Reset', 'Test' or 'Apply' to start sensor detection mode.
 3. Press the button of detection range, hold time, stand-by dimming level, stand-by period and daylight threshold one after the other in sequence.

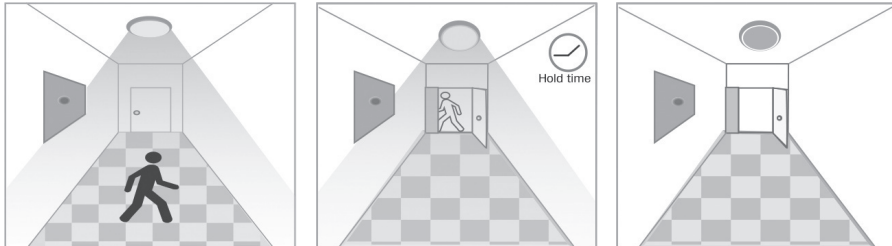
NOTE: Settings will be saved automatically an remain until you press reset again.

Light will flicker when setting each parameter.

Automatically ON/OFF Function

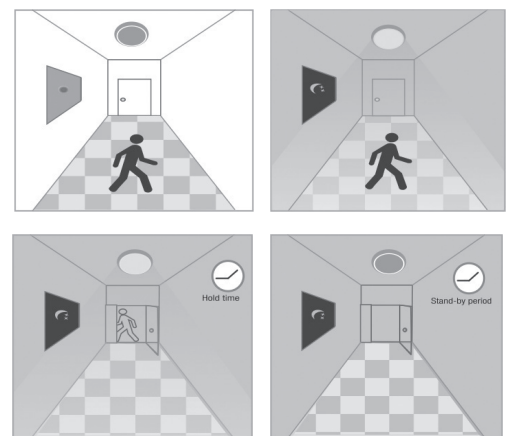


No Daylight Function



Function Demo







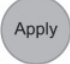






(Dimmable Control/Corridor Function)

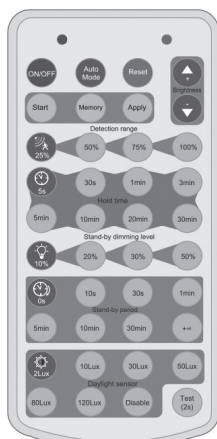


Full Technical specification available upon request. Contact info@timeled.co.uk for PDF.

Instructions for remote control:

Remote settings

Remote Keys	Function	Performance
	ON/ OFF	1. 'ON/OFF' key only functions as light switch. 2. If press this button to turn off lamp before it's short curcuted, the lamp will remain off after power up.
	Auto Mode	Press 'Auto mode', the sensor starts to work and all settings remain the same beofre light gets switched on/off.
	Reset	1. Press 'Reset' button, change brightness to max level. 2. Press 'Reset' button, products with DIP switch will be controlled by DIP switches; otherwise all the settings will just be initial, that is 100% detection range, hold time 5s, no stand-by time and daylight threshold disabled.
	+/-	1. To adjust brightness 10-100% in on/off mode. 2. To adjust highest brightness 60-100% in sensor mode
	Start	Daylight threshold, stand-by dimming level and stand-by period
	Memory	1. Press 'Memory' to save all the settings. 2. The settings remained as last time, if not get resetted values.
	Apply	1. Press 'Apply' to deliver the saved settings. 2. Press 'Apply' without 'memory' will make all the settings a one-time operation. 3. Settings should be done withing 30s, otherwise memory mode is exited.
	Detection area	Detection area (press to define detection area 100% / 75% / 50% / 25%)
	Hold time	Hold time (press to define hold time 5s / 30s / 1min / 3min / 5min / 10min / 20min / 30min)
	Daylight Threshold	Stand-by dimming level (press to define stand-by dimming level 100% / 75% / 50% / 25%)
	Stand-by Period	Stand-by period (press to define stand-by 0s / 5s / 30s / 1min / 3min / 5min / 10min / 30min / +) NOTE: '0s' means no stand-by period; '+' means unlimited stand-by period)
	Stand-by Dimming Level	Daylight threshold (press to define daylight level 2Lux / 10Lux / 30Lux / 50Lux / 80Lux / 120Lux / Disable) NOTE: 'Disable' meant light will be turned on once sensor detects movement, regardless of the ambient lux.
	Test Mode	The button 'Test (2s)' is for testing purpose after commisioning. Pressing this button, the sensor goes into test mode (hold time is only 2s).



TIME LED is part of Pitacs Limited. For customer support contact:

Bradbourne Point, Bradbourne Drive, Tilbrook, Milton Keynes, Buckinghamshire MK7 8AT

T: +44 (0)1908 271155 F: +44 (0)1908 640017 E: info@timeled.co.uk W: www.timeled.co.uk

