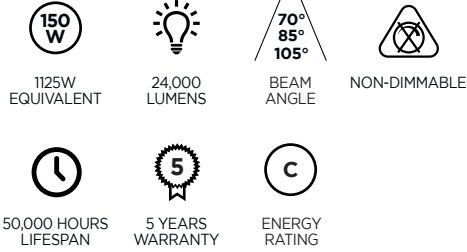


TIME LED[®]

ELEMENTS MULTIBEAM HIGHBAY SENSOR+ 150W

SPECIFICATION SHEET

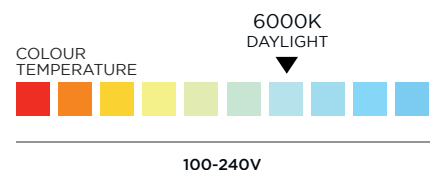
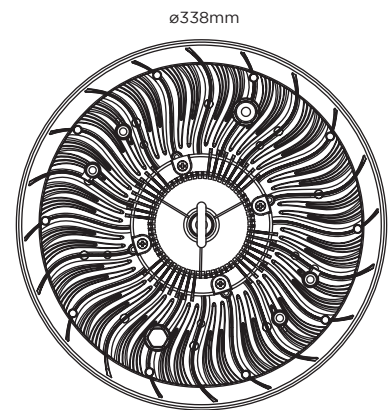
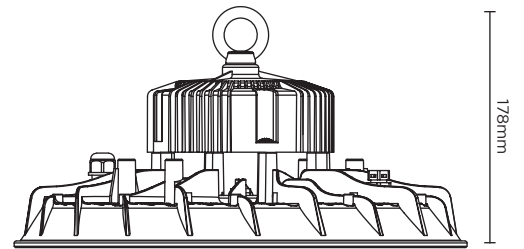
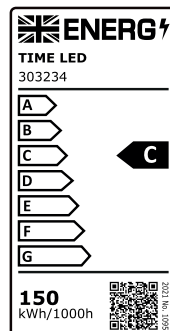
PRODUCT CODE: 303234



SPECIFICATION

Product Code	303234
Wattage	150W
Equivalent Wattage	1125W
Lumens	24000 lm
Lamp Type	SMD 2835
Diameter/Length	ø338
Height	178mm (including hook)
Cable Length	2m
Cable Colour	Black
Lifespan	50,000hrs
Beam Angle	70° / 85° / 105°
Warm / Cool / Daylight	Daylight
Colour Temp/Kelvin	6000k
Dimmable	No
Warranty	5 years
Energy Rating	C
IP Rating	IP65
Material	Aluminium + PC
Packaging	Carton + Di Foam

Driver Included	Yes
Current (A)	0.673A (under 105°testing)
Hertz (Hz)	50Hz
Ra	>80
Power	152.1W (under 105°testing)
Voltage	100-240V
Weight	3.2kg
Lumens per Watt	160 lm
Energy Consumption	150kwh/1000h
Power Factor	0.95
Input Frequency	50Hz
Colour Tolerance	6
PMMA	Yes



TIME LED is the Lighting Division of Pitacs Limited

Bradbourne Point, Bradbourne Drive, Tilbrook, Milton Keynes, Buckinghamshire MK7 8AT

T: +44 (0)1908 271155 F: +44 (0)1908 640017 E: info@TIMELED.co.uk W: www.TIMELED.co.uk



SPEC_303234_V1_MARCH2020