

# TIME LED<sup>®</sup>

## Prestige IQ 8W CCT Smart Downlight

Installation and Operating Instructions



8W

IP65  
FRONT

5 YEARS  
WARRANTY

30,000  
HOURS  
LIFESPAN

Read and follow instructions before operating your light.  
Save this manual for future reference.

Package includes:

- 1 x Prestige IQ 8W CCT Smart Downlight
- 1 x Manual

### Safety:

- This product must be installed in accordance with the latest edition of the IEE Wiring Regulations (BS7671) and current Building Regulations. If in any doubt, consult a qualified electrician.
- Before commencing any installation or maintenance work, ensure that the electrical mains supply is isolated and circuit fuses are removed or switched off.
- This product is designed for connection to a 220-240V-50/60Hz supply.
- Note - Please note that this luminaire is incompatible with dimmers.
- Please note the IP rating of this luminaire when deciding the location for installation. Product is IP65 (Below the ceiling), IP20 (Recessed parts). It is suitable for interior installations only.
- The LED light source fitted in this product is non replaceable. The whole luminaire must be replaced when the LED reaches the end of its life.
- This product has WiFi OR Zigbee connectivity to the Tuya app and adjustable via the Tuya app.

TIME LED is part of Pitacs Limited. For customer support contact:

INS-304163-312045-V3

Bradbourne Point, Bradbourne Drive, Tilbrook, Milton Keynes, Buckinghamshire MK7 8AT  
T: +44 (0)1908 271155 F: +44 (0)1908 640017 E: info@timeled.co.uk W: www.timeled.co.uk



<b>Product Code</b>	<b>304163(W) / 312045(Z)</b>
Size (mm)	Ø87 x 45
Watts	8W
Lumens	680lm
IP Rating	IP65 (Below ceiling) IP20 (Recessed sections)
Beam Angle	60°
Dimmable	Only via app
Cut Out Size	66-78mm

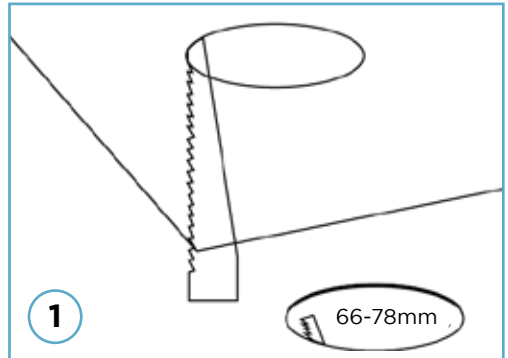
Lifespan	30,000 Hours
Material	Aluminium, Iron & Plastic
Net Weight	0.25kg
Voltage	220-240v
Input Frequency	50/60Hz
Current (A)	240mA
Colour Temp	3000K-6000K
Energy Rating	F
Warranty	5 Years

### Instructions for new installations:

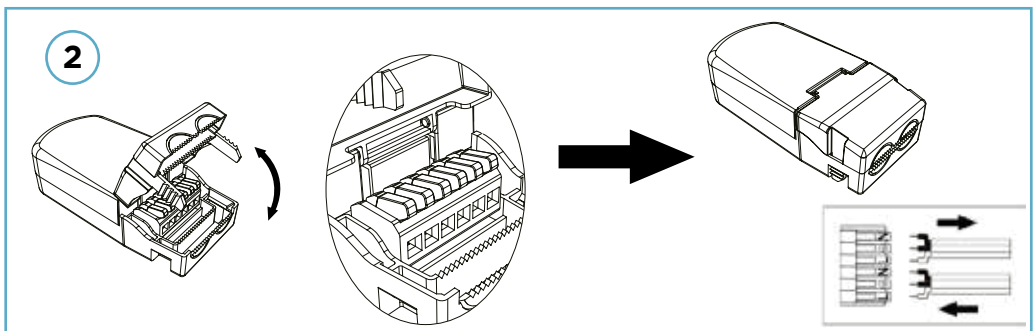
Always switch off the mains power supply before installation or servicing this product. Ensure that there is adequate free air ventilation around the luminaire at all times. Do not install this product into damp or newly plastered ceilings.

This luminaire should be mounted on a flat, smooth surface. Ensure that the mounting area is clean and free from any obstructions. The installation must not infringe on gas/water pipes or any other electrical cables or services which may be hidden behind the ceiling.

1) Select the required mounting position in the ceiling and cut out a circular hole 66mm in diameter. Do not exceed the cutting diameter and ensure that cut outs are spaced adequately to provide clearance from any joists, beams or cables within the ceiling void.

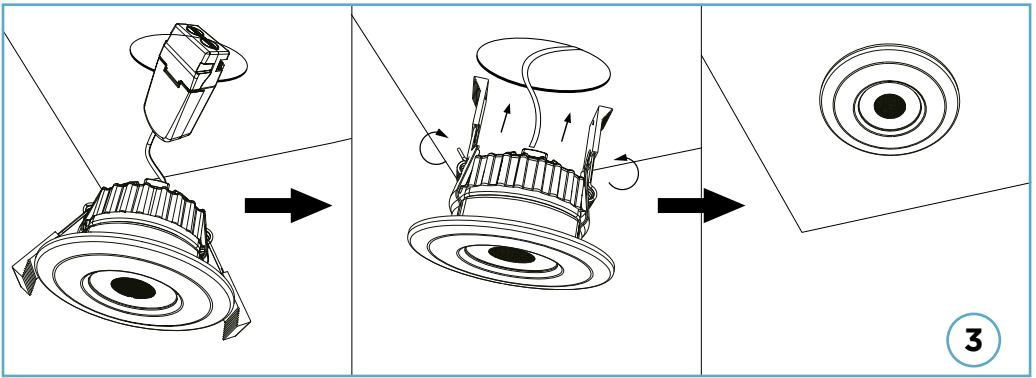


2) Pull the mains supply cable through the hole and open the terminal block cover. Connect the mains supply cable into the terminals ensuring that the correct polarity is observed; L - Live (Brown), E - Earth (Green/Yellow), N - Neutral (Blue). Close the terminal block cover tightly to secure the cable in place.



3) Feed the excess mains supply cable back through the hole and into the ceiling void. With the spring clips held in the upward position, tilt and insert the connector block and luminaire through the cut out hole and into the ceiling void, take care not to trap any cables. The spring clips will locate onto the top of the ceiling surface to provide a secure installation. Ensure that the rubber seal ring is securely in place on the back of the bezel housing and that the luminaire is fitted centrally to the cut out hole.

4) Reconnect the mains power supply and test the installation for correct and satisfactory operation.



### Wifi & Zigbee Control

- 1) The Downlight must be connected to the Tuya app to enable smart control.
- 2) Download the Tuya Smart app on Google Play or the App Store® (please use the QR code below).
- 3) Ensure you are connected to the desired Wi-Fi network on your mobile device, and the app is connected to the same network. Please note only 2.4 GHz networks are supported.
- 4) To add a luminaire to the app, switch on the power to the fitting and tap “+” on the top right corner of the app, Select “ADD Device”.
- 5) The downlight power should be switched on / off five times to enter the pairing mode.
- 6) The downlight will start to flash when it is in pairing mode.
- 7) If the light is flashing rapidly, skip the above procedure and tap “Confirm the light is flashing rapidly” and then tap “Next”. If the light is not flashing, follow line 5 to enter pairing mode
- 8) After the luminaire has been added successfully to the app, it can be named and added to a room. After naming the luminaire, tap “Done”

**A comprehensive instruction manual can be download with this QR code:**



User guide download

### Additional Safety Information:

- This luminaire can be loosely covered with mineral wool insulation material. However, minimum clearance distances around the luminaire must be observed: 25mm above the top of the luminaire, 75mm to all sides of the luminaire and 0.5m minimum distance between luminaires.
- When removing the luminaire for maintenance or changing the bezel, allow sufficient time for the product to cool before handling.
- This product is rated IP65 and is suitable for installation in bathroom zones 1 and 2 as defined by the current wiring regulations and building regulations.
- This is a Class II construction luminaire
- This luminaire is suitable for use in ambient temperatures of -10°C to +40°C.
- MCBs may require to be updated to allow for increased initial inrush current.
- Do not carry out any insulation resistance tests with the luminaire connected to the lighting circuit.
- Ensure that all electrical connections are tight with no loose strands including factory made connections.



App download

### Optional Colour Bezels:

The optional colour bezels supplied can be changed if required. Rotate the fixed bezel one quarter turn anticlockwise and pull it away from the luminaire. Select a new bezel and rotate it one quarter turn clockwise back onto the front of the luminaire.

793954	Prestige Black Bezel
793961	Prestige Brass Bezel
793978	Prestige Brushed Chrome Bezel
793985	Prestige Chrome Bezel

Bezels available for purchase separately.

### Cleaning:

- Do not use any chemical or abrasive cleaners.
- Clean product with only a soft dry cloth.
- Clean product at regular intervals.

### Warning:

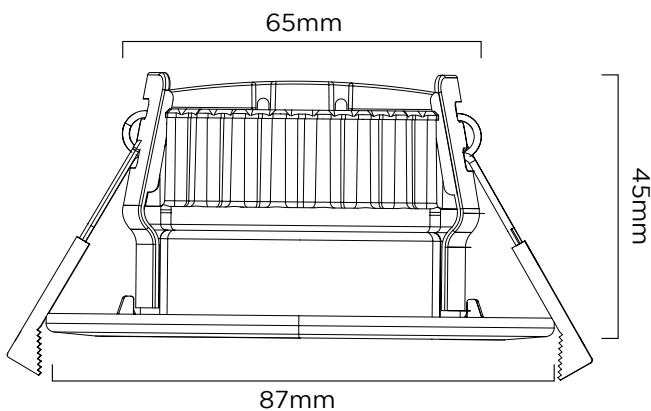
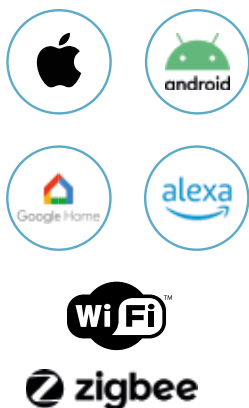
- This product is not a toy and contains small parts.

### Warranty:

This product is guaranteed in the UK for a period of 5 years from the date of purchase. The guarantee is invalid in the case of improper use, installation, tampering, removal of the QC/batch code label, installation in an improper working environment or installation not according to the current edition of the IEE Wiring Regulations (BS 7671). Should this product fail during the guarantee period it will be replaced free of charge, subject to correct installation and return of the faulty unit. TIME LED is not responsible for any installation costs associated with the replacement of this product. TIME LED has the right to alter product specifications without prior notification.

### Recycling Advice:

Waste Electrical products should not be disposed of with household waste. Please recycle where facilities exist. Check with your local authority or retailer for recycling advice.



Full Technical specification available upon request. Contact [info@timeled.co.uk](mailto:info@timeled.co.uk) for PDF.