

# TIME LED®

## Elements Ability Batten 5ft 30W & 5ft 60W

Installation and Operating Instructions



Please read and follow the instructions before operating your light and save this manual for future reference.

Package includes:

- 1 x 5ft Elements Ability Batten
- 1 x Manual

### Safety:

- This product must be earthed.
- Before installation or maintenance, ensure that the mains supply to the product is switched off and the circuit supply fuses are removed or circuit breaker turned off.
- Check that the total load on the circuit, including when this product is fitted, does not exceed the rating of the circuit, cable, fuse, circuit breaker.

Installation of this luminaire should only be carried out by a qualified electrician or competent person to the current Building and IEE Wiring Regulations (BS7671).

INS-ELEMENTS\_ABILITY-BATTEN\_5FT-V1

TIME LED is part of Pitacs Limited. For customer support contact:

Bradbourne Point, Bradbourne Drive, Tilbrook, Milton Keynes, Buckinghamshire MK7 8AT

T: +44 (0)1908 010345 E: led-sales@pitacs.com W: www.TIMELED.co.uk



Product Code	314100 (5ft 30W) 314117 (5ft 60W)
Size (mm)	1470 x 62 x 70
Lamp	Single batten light
Watts	30W (314100) 60W (314117)
Colour Temp	3000K / 4000K / 6500K
IP Rating	IP20

Lumens	3900lm (314100) 7800lm (314117)
Beam Angle	120°
Material	Die casting aluminium
Dimmable	NO
Voltage/Hertz	220-265V / 50-60Hz
Lifespan	50,000hrs
Warranty	5 years
Energy Rating	E

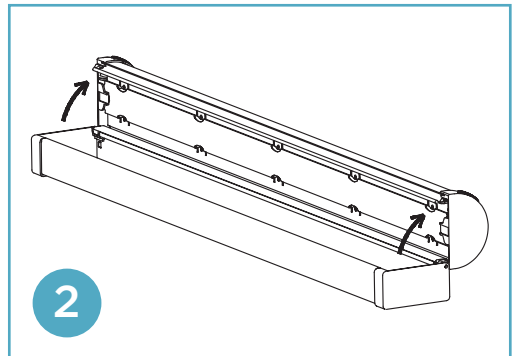
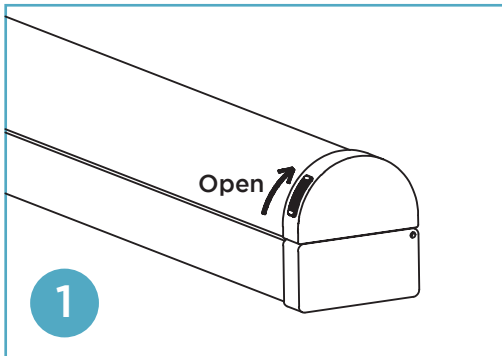
## Instructions for new installations:

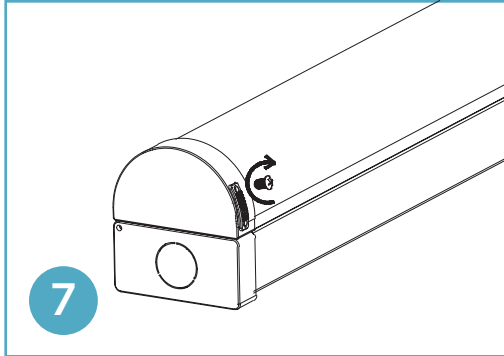
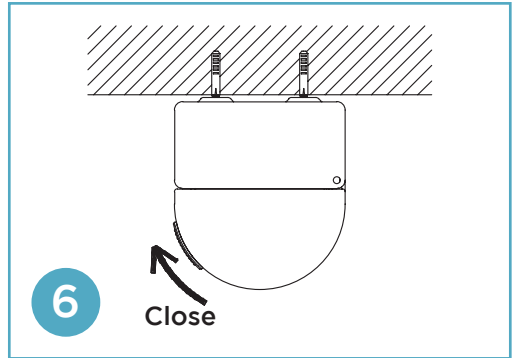
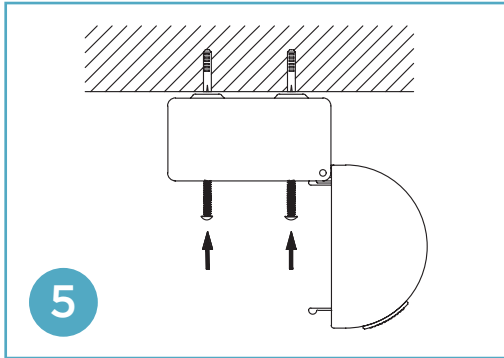
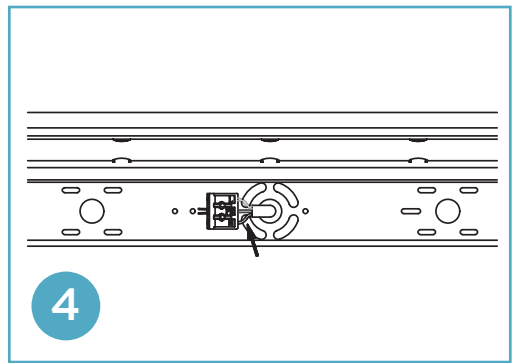
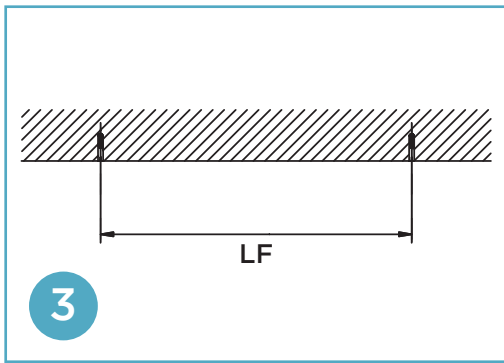
Ensure the mains supply is switched off.

- Open the cover by lifting the switches on each side. **(Fig. 1, Fig. 2)**
- Adjust to the required CCT selection
- Measure the LF distance, drill holes and insert the expansion tubes into the ceiling. **(Fig. 3)**
- Insert the mains cable through the end cap and wire it to the terminal block. **(Fig. 4)**

Live: Brown  
Neutral: Blue  
Earth: Yellow / Green

- Place the body into position and attach to the rawlplugs using the screws provided. **(Fig. 5)**
- Close the cover. **(Fig. 6)**
- Install the locking screws on the end cape of the polycarbonate cover. **(Fig. 7)**



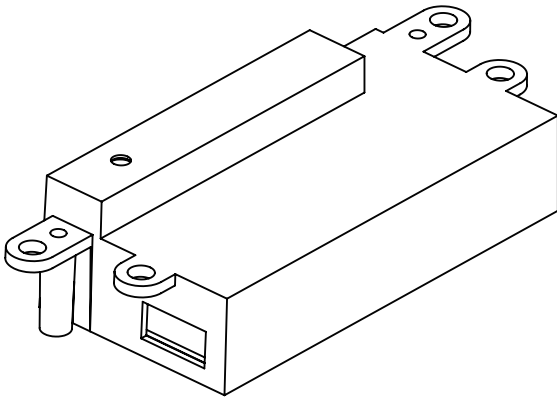


**Warning:**

Electrical products can cause death, injury, and damage to property. Installation of this product must be carried out by a qualified electrician, in accordance with BS7671. On completion of installation, ensure that the Certificate of Compliance is updated.

CAUTION: Risk of electric shock.

PLEASE NOTE: The light source contained in this luminaire shall only be replaced by the manufacturer or the service agent or a similarly qualified person.



**Optional Quick Fit Microwave  
occupancy Sensor to fit this product.**

**SKU: 314148**

**Cleaning:**

- Do not use any chemical or abrasive cleaners.
- Only clean the product with a soft dry cloth.

**Warning:**

- This product must be disconnected from the circuit if subjected to any high voltage or insulation resistance testing. Irreparable damage will occur if this instruction is not followed.

**Recycling Advice:**

- Electrical products should not be disposed of with household waste. Please check with your local authority or retailer for responsible recycling advice.

**Warranty:**

- This product is warranted to be free of defects in materials, design and workmanship for 5 years from the date of purchase (conditions apply, please see TIME LED website for further details). If a suspected fault should develop in this time, please contact us via the address below.

Full technical specification available upon request. Contact [led-sales@pitacs.com](mailto:led-sales@pitacs.com) for PDF.

**TIME LED<sup>®</sup>**

**Elements Ability Batten  
5ft 30W / 5ft 60W**