

TIME LED®

ELEMENTS 100W RA HIGHBAY

SPECIFICATION SHEET

PRODUCT CODE: 322297

For centuries, RA has been the Egyptian God of Sun. Introducing the all-new RA Commercial UFO Highbay from TIME LED - featuring an impressive, intense, 190 lumens per watt, the RA Highbay brings high efficiency to a new level, combined with an IP65 rating, IK08 impact resistant and 110° beam angle as standard. Powered by an isolated Sosen driver for long-time reliability.



100W



19,000 LUMENS



BEAM ANGLE



NON-DIMMABLE



50,000 HOURS LIFESPAN



5 YEAR WARRANTY



ENERGY RATING

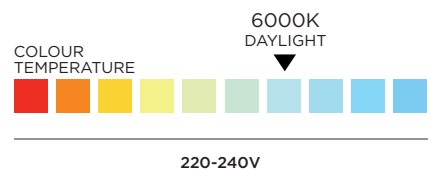
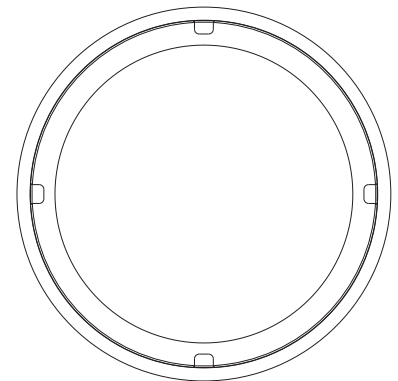
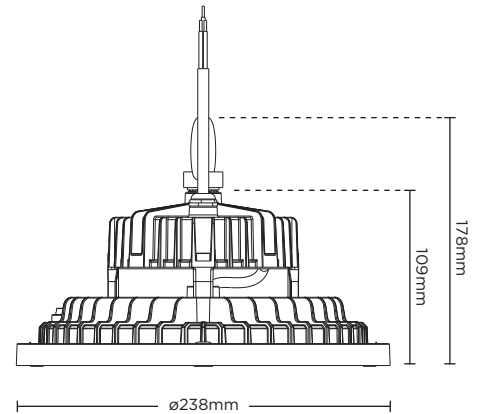
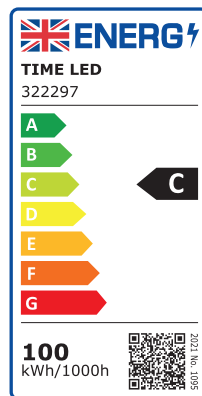


LUMENS PER WATT

SPECIFICATION

| | |
|------------------------|------------------------|
| Product Code | 322297 |
| Wattage | 100W |
| Lumens per Watt | 190 lm |
| Lumens | 19,000 lm |
| LED | SMD 5050 |
| Diameter/Length | ø238mm |
| Height | 108mm |
| Cable Length | 2m |
| Cable Colour | Black |
| Lifespan | 50,000 hours |
| Beam Angle | 110° |
| Warm / Cool / Daylight | Daylight |
| Colour Temp/Kelvin | 6000k |
| Dimmable | No |
| Warranty | 5 years |
| Energy Rating | C |
| IP Rating | IP65 |
| Material | Aluminium & Glass |
| Packaging | Brown Carton + Di Foam |

| | |
|--------------------|----------|
| Driver Included | Yes |
| Current (A) | 0.37A |
| Hertz (Hz) | 50Hz |
| Ra | 70 |
| Power | 100W |
| Voltage | 220-240V |
| Weight | 1.91 kg |
| Energy Consumption | n/a |
| Power Factor | 0.9 |
| Input Frequency | 50/60Hz |
| Colour Tolerance | n/a |
| PMMA | n/a |



TIME LED is the Lighting Division of Pitacs Limited

Bradbourne Point, Bradbourne Drive, Tilbrook, Milton Keynes, Buckinghamshire MK7 8AT

T: +44 (0)1908 271155 F: +44 (0)1908 640017 E: info@TIMELED.co.uk W: www.TIMELED.co.uk



SPEC_322297_V1_APRIL2023