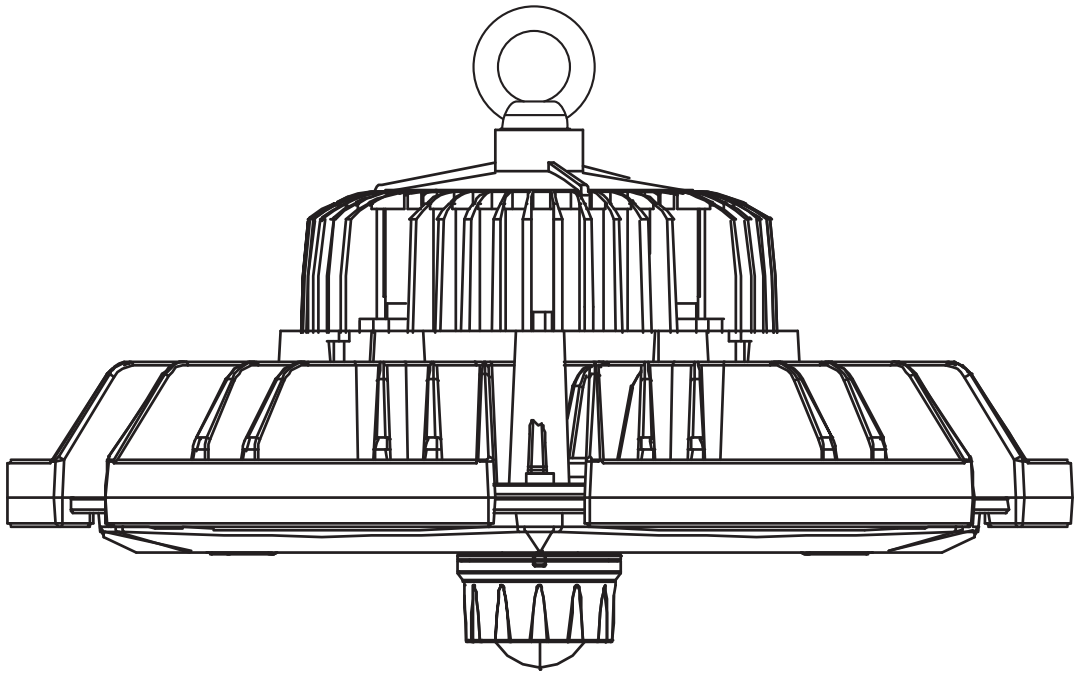


TIME LED[®]



325021

Elements 200W Gen2 Highbay

Installation and Operating Instructions

READ AND FOLLOW ALL SAFETY INSTRUCTIONS

WARNING

Make all electrical and grounded connections in accordance with BS7671. If you are not familiar with these requirements, consult a qualified electrician. Failure to do so may result in serious personal injury.

To reduce the risk of fire, electric shock, personal injury, or property damage, please read and follow all safety instructions. If you do not understand these instructions or if any additional information is required, contact your local sales representative.

Retain these instructions for maintenance reference.

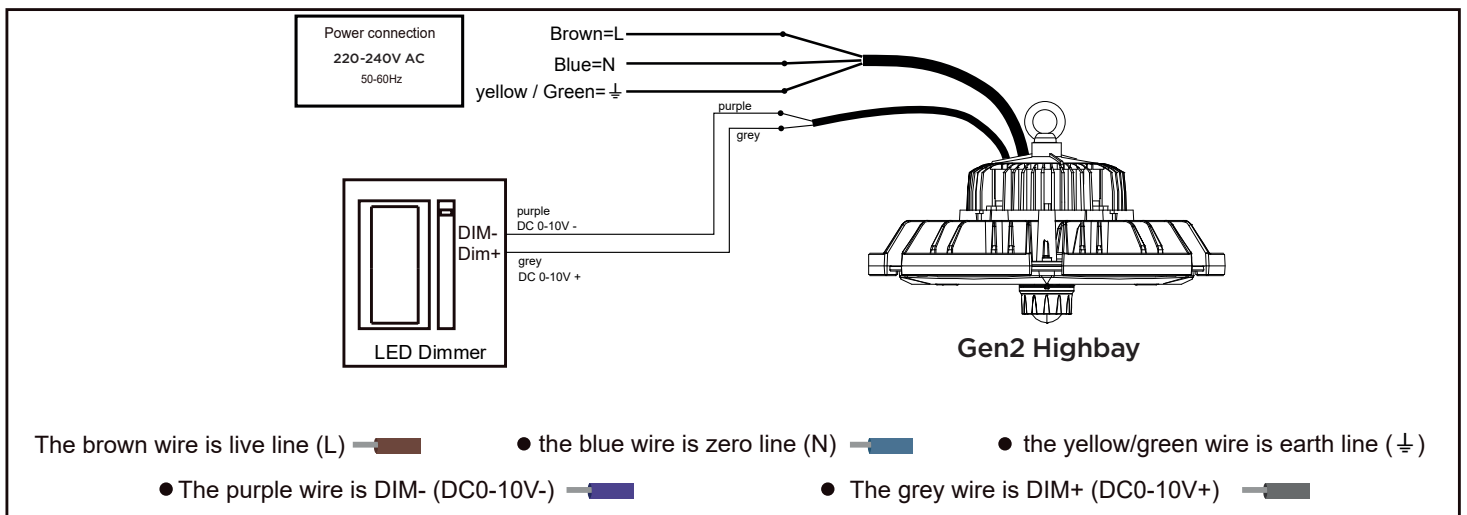
Make certain electrical supply is OFF before installation.

Do not exceed the stated supply voltage marked on the luminaire.

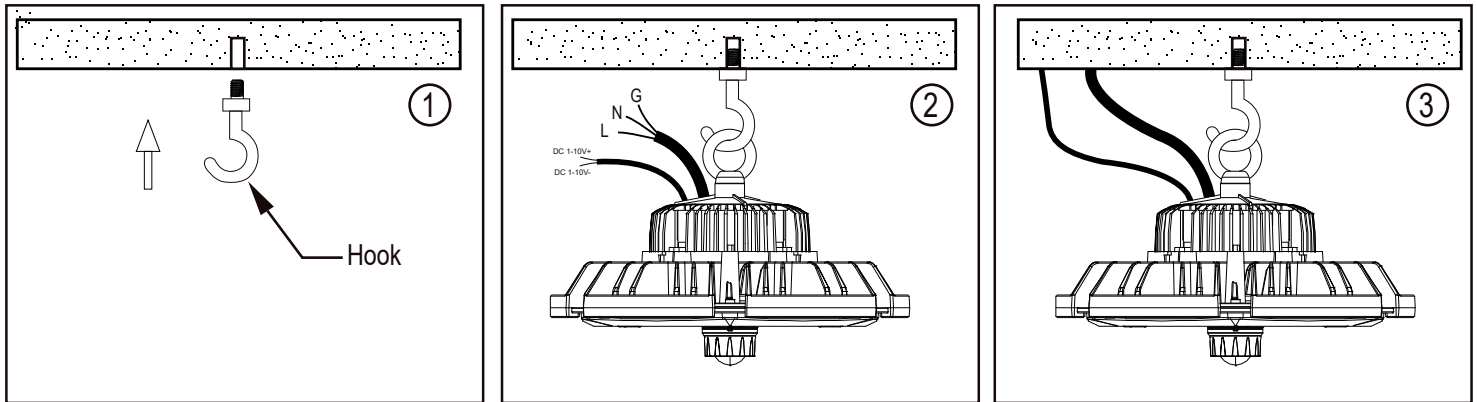
CAUTION

- Do not expose wires to any sharp objects such as sheet metal to prevent wiring damage or abrasion.
- To avoid risk of burning, be sure fixture temperature is cool enough to touch before handling.
- While the light is on, please avoid direct eye exposure.
- Combustible materials should be kept away from fixture/lens.

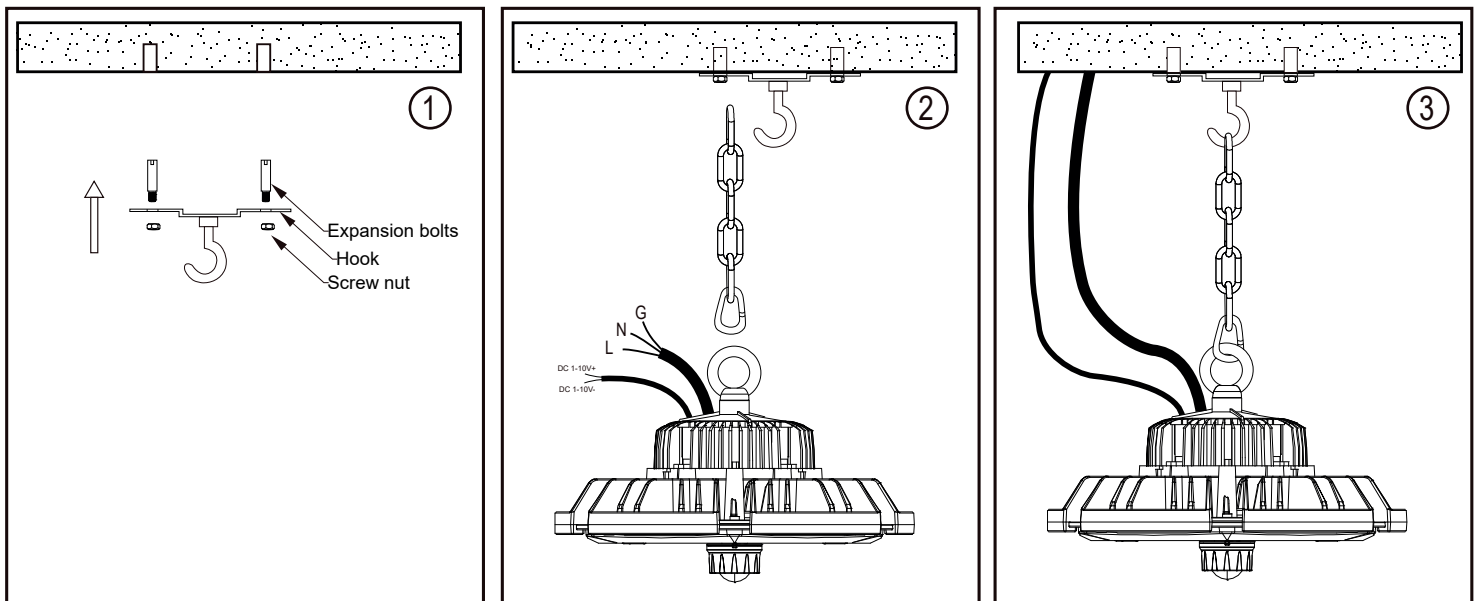
WIRING DIAGRAM



INSTALLATION STEPS



- Drill corresponding sized holes in the ceiling. Put the hook into the holes.
- Hang the fixture's ring on the hook.
- Ensure correct connection of the L / N / Earth power connection.



- Figure 1: Drill corresponding size holes in the ceiling. Put the expansion bolts into holes. Fix the hook on the ceiling with the screw nut.
- Figure 2: Link the chain's buckle and the fixture's ring.
- Figure 3: Hang the chain on the hook.
- Ensure correct connection of the L / N / Earth power connection.
- A second point fixing / safety chain is recommended.

Warning: Below operation should only be performed by a qualified electrician and ensure power is off!

POWER ADJUSTMENT

Power	Operation	Power switching		
		1	2	3
200W		-	-	-
150W		-	-	-
100W		-	-	-
70W		ON	-	-

Power	Operation	Power switching		
		1	2	3
200W		-	-	-
150W		-	-	-
100W		-	ON	-
70W		-	-	-

Power	Operation	Power switching		
		1	2	3
200W		-	-	-
150W		-	-	ON
100W		-	-	-
70W		-	-	-

Power	Operation	Power switching		
		1	2	3
200W		-	-	-
150W		-	-	-
100W		-	-	-
70W		-	-	-

How To Operate The Power?

1. Turn switch “1” to “ON” side, the lamp wattage is 70W
2. Turn switch “1” back to “1” side, then Turn switch “2” to “ON” side, the lamp wattage is 100W
3. Turn switch “2” back to “2” side, then Turn switch “3” to “ON” side, the lamp wattage is 150W
4. Turn switch “1”/ “2” / “3” to “ON” side simultaneously, the lamp wattage is 200W

COLOUR TEMPERATURE ADJUSTMENT

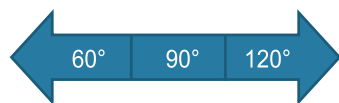
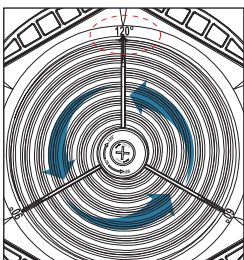
CCT	Operation	Adjust Colour Temperature	
		ON	1
4000K		-	-
5000K		-	✓

CCT	Operation	Adjust Colour Temperature	
		ON	1
4000K		✓	-
5000K		-	-

How To Operate The Colour Temperature?

1. Select position “1” to set the CCT to 4000K
2. Select position “ON” to set the CCT to 5000K

BEAM ANGLE ADJUSTMENT



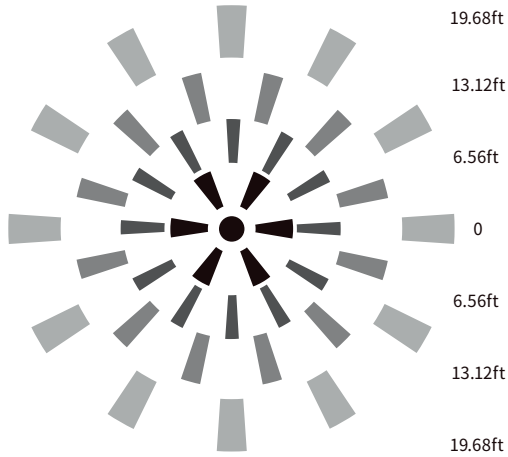
Power	Operation	To Adjust Beam Angle		
		1	2	3
60°	Twist 120° to change each CCT 	Rotate to	-	-
90°		-	Rotate to	-
120°		-	-	Rotate to

How To Adjust The Beam Angle?

Please ensure the six screws on the back of the Highbay are loose before adjusting the beam angle.

1. Rotate the lens with “ ➡ ” to “60°”, the beam angle is 60°
2. Rotate the lens with “ ➡ ” to “90°”, the beam angle is 90°
3. Rotate the lens with “ ➡ ” to “120°”, the beam angle is 120°

325038 Optional Microwave Sensor

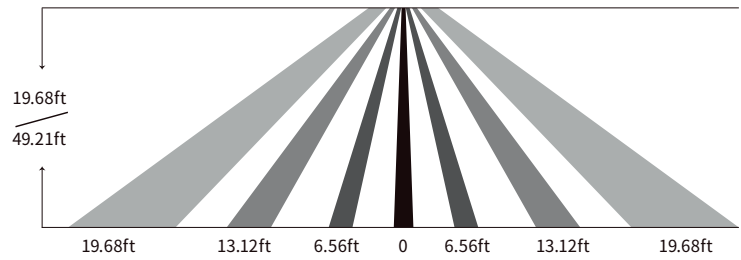


Mounting Height

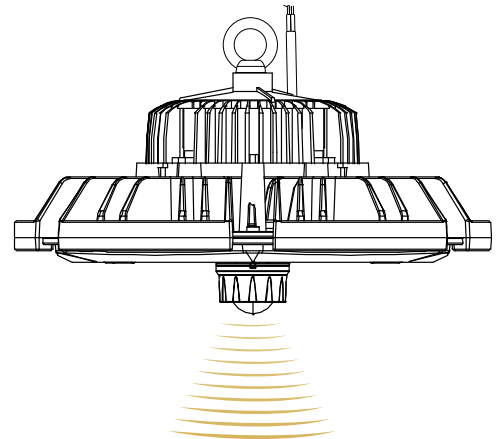
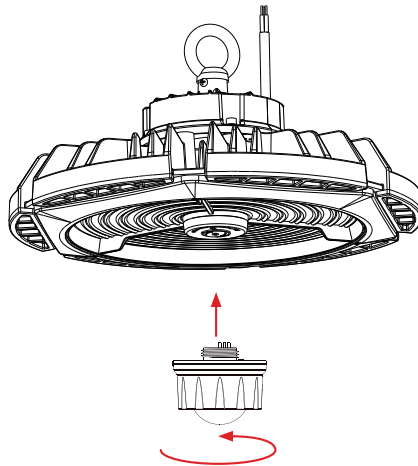
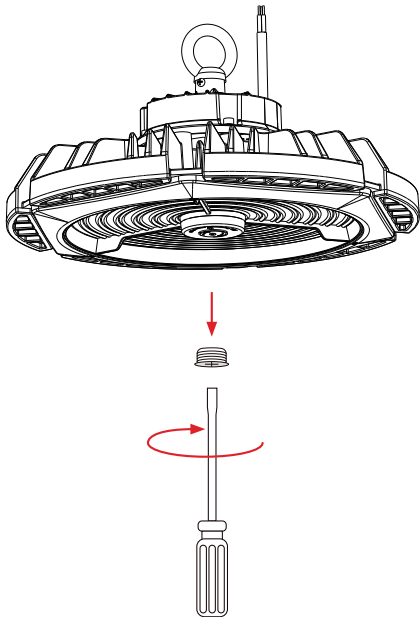
≤6m/19.68ft Ceiling Mounted

Detection Distance

Radius 3-6m/9.84-19.68ft

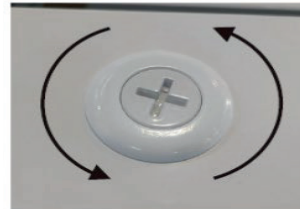


SENSOR INSTALLATION



1. Ensure power is off to the fixture.
2. Remove bung (KO) plug.
3. Screw in sensor head (see right picture)
4. Re-connect power when ready.
5. Program desired settings as needed with TIMELED Remote Control 325045.

1. UNSCREW FIXTURE CAP



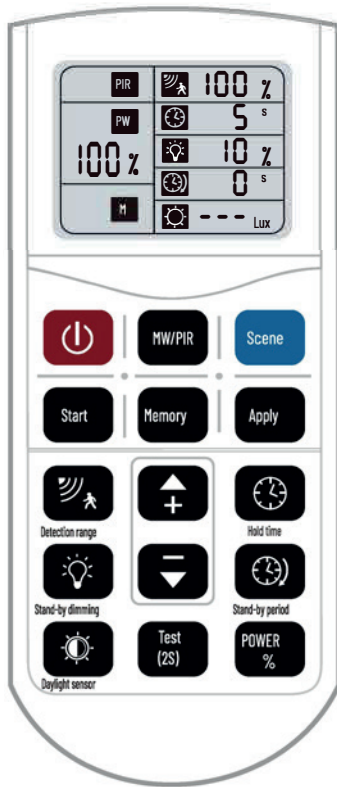
2. TWIST IN SENSOR



325045 Optional Remote Control

Screen Display
Memory & Apply Function
Optional Scenes

Model: 325045



Summary of Button Functions

Buttons	Function	Performance
	ON/OFF	Turn ON or OFF the sensor.
	MW/PIR	Exchange from Microwave detection to PIR detection, for future use.
	Reset	Press it to start detection programming; before pressing any other buttons, the screen shows default programming (Detection Area 100%, Holdtime 5S, Daylight Disable, Standby Dimming 10%, Standby Period 0S)
	Start	Press it before you try to memorize program into the remote; After pressing it, S on the screen will blink and keeping blinking while making the program.
	Memory	Press it after programming, the blinking S will become a solid M, that means the program has been well memorized.
	Apply	Press it to deliver the preset program to the specific sensors; every press will make the whole screen blink gently.
	Detection area	Also known as "sensitivity", 100% means the highest sensitivity and longest distance. Press it, specific icon on the screen will blink and press the + - buttons to adjust.
	Hold time	The period that light will stay illuminated 100% after no motion's detected; Press it, specific icon on the screen will blink and press the +- buttons to adjust.
	Daylight Threshold	The preset lux level to compare with ambient brightness when motion gets detected; Press it, specific icon on the screen will blink and press the + - buttons to adjust.
	Stand-by period	The period after holdtime, during which the light keeps standby dimming level; Press it, specific icon on the screen will blink and press the + - buttons to adjust.
	Stand-by dimming level	After holdtime, the light will dim from 100% to optional standby dimming levels; Press it, specific icon on the screen will blink and press the + - buttons to adjust.
	UP	The main functional buttons to adjust the factors to wanted level.
	DOWN	
	POWER	Supports to manually change dimming output in detection mode; Press it, specific icon on the screen will blink and press
	Test mode	Supports to check if the sensor works correctly with a short 2S holdtime; Press it and the holdtime will change to 2S, and it can't be memorized.

325045 Remote Control Programming Guide

SENSOR PROGRAMMING

1. ON/OFF button to turn on the light
2. SCENE button to start programming
3. Choose functional button of detection area, see icon blinking on the LCD screen display then use + - buttons to change
4. Same programming with all the other functional buttons of holdtime ,standby dimming level, standby period and daylight threshold
5. Done and leave the remote.

*Icon keeps blinking on the screen for 5S that means the program will then be kept afte 5S.

*Each press will make sensor dim down light then back to100%, it means remote signal has been well received.

2. MEMORY AND APPLY

@the 1st sensor

1. ON/OFF button to turn on the light
2. SCENE button to start programming
3. START button
4. Choose functional button of detection area, see icon blinking on the LCD screen display then use + - buttons to change
5. Same programming with all the other functional buttons of holdtime ,standby dimming level, standby period and daylight threshold
6. MEMORY button

7. APPLY button

@the other sensors

1. ON/OFF button to turn on the light
2. SCENE button to start programming
3. APPLY button

3. MANULLY DIMMING

ON/OFF mode

1. ON/OFF button to turn on the light
2. Press +- button to dim light directly, it dims from 10% to 100%

DIMMING mode

1. ON/OFF button to turn on the light
2. SCENE button to start programming
3. POWER button
4. +- buttons to dim light, but it only dims from 60% to 100%; 50% is one of the standby dimming level options

* Number on LCD screen display may keep changing 10%-100%.

TIME LED®

TIME LED is the Lighting Division of Pitacs Limited

Bradbourne Point, Bradbourne Drive
Tilbrook, Milton Keynes, Buckinghamshire MK7 8AT

T: +44 (0)1908 271155 F: +44 (0)1908 640017
E: info@TIMELED.co.uk W: www.TIMELED.co.uk

