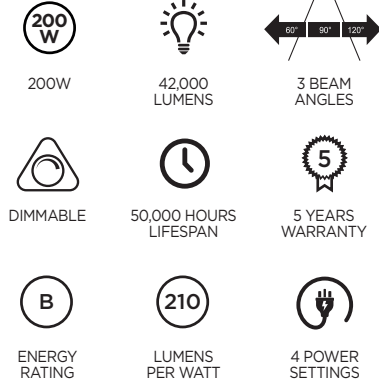
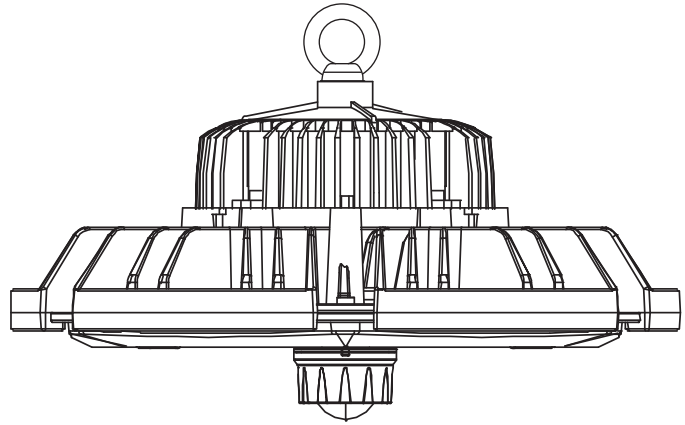


SPECIFICATION SHEET

PRODUCT CODE: 325021

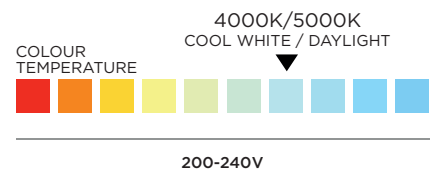
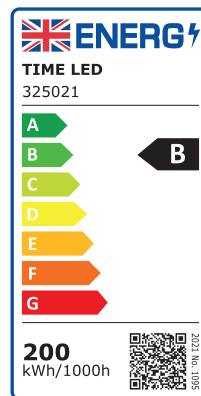
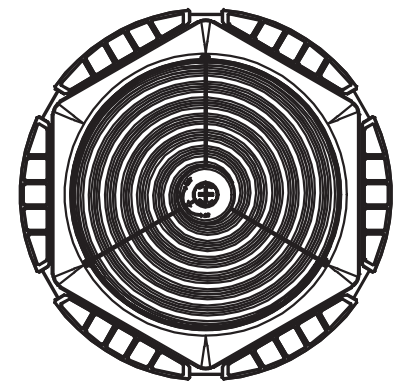
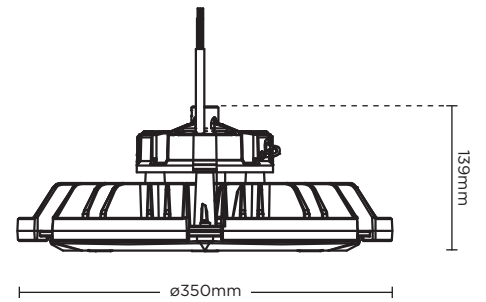
The TIME LED Elements GEN2 Highbay is the next generation of commercial and industrial lighting. It is an ultra-high efficiency model offering 42,000 lumens at 210 lumens per watt. Manufactured from graphene and polycarbonate it has four power settings, a choice of 3 beam angles and is backed by a five-year warranty.



SPECIFICATION

Product Code	325021
Wattage	200W
Lumens per Watt	210 lm
Lumens	42,000 lm
LED	SMD 2835
Diameter/Length	ø350mm
Height	139mm
Cable Length	2m
Cable Colour	Black
Lifespan	50,000 hours
Beam Angle	60° 90° 120°
Warm / Cool / Daylight	Cool White / Daylight
Colour Temp/Kelvin	4000K/5000K
Dimmable	Yes
Warranty	5 years
Energy Rating	B
IP Rating	IP65
Material	Graphene & PC
Packaging	Paper carton

Driver Included	Yes
Current (A)	0.93A
Hertz (Hz)	50/60Hz
Ra	>70
Power	200W
Voltage	200-240V
Weight	3.72 kg
Energy Consumption	200.5W
Power Factor	>0.95
Input Frequency	50/60Hz
Colour Tolerance	5
PMMA	n/a



TIME LED is the Lighting Division of Pitacs Limited

Bradbourne Point, Bradbourne Drive, Tilbrook, Milton Keynes, Buckinghamshire MK7 8AT

T: +44 (0)1908 271155 F: +44 (0)1908 640017 E: info@TIMELED.co.uk W: www.TIMELED.co.uk



TIMELED-325021-SPEC-SHEET-AUG2023