

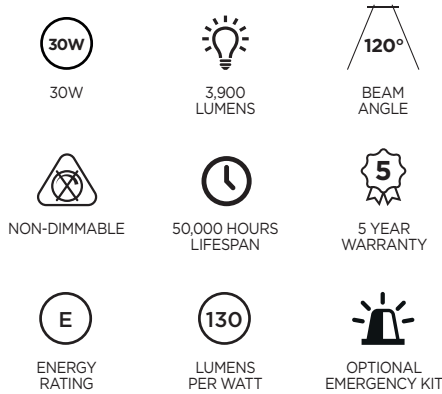
TIME LED®

CHROMA 30W CCT LED PANEL LIGHT

SPECIFICATION SHEET

PRODUCT CODE: 325076

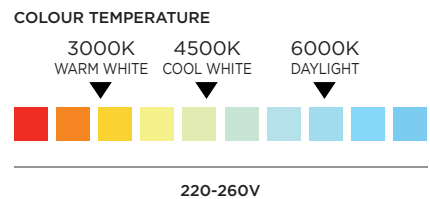
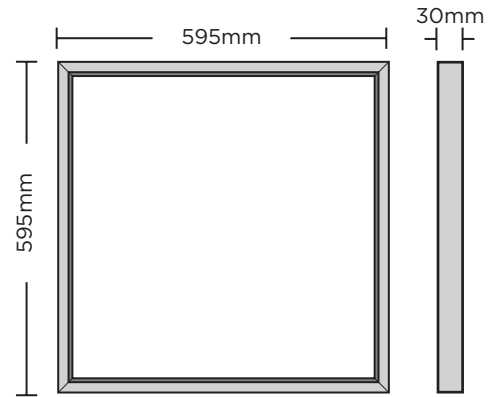
Powerful, slimline, lightweight and super efficient, the Chroma CCT LED Panel Light comes feature-packed for brighter, safer, healthier lighting in commercial, educational and institutional settings. Back-lit for higher efficiency and surpassing all current building regulation requirements, the Chroma CCT panel comes with three colour temperatures (Warm White, Cool White and Daylight) selected with a simple flick of a switch, and is super-efficient at 130 lumens per watt. The flicker-free UGR19 rating means less glare, while a TP(a) rating gives added protection in case of fire. Add a Utility Universal Emergency Module (product codes 761441 / 761441-M) for extra peace of mind with backup power in a power outage.



SPECIFICATION

Product Code	325076
Wattage	30W
Lumens per Watt	130 lm
Lumens	3,900 lm
LED	SMD 5050
Length	595mm
Height	595mm
Depth	30mm
Cable Length	12cm
Cable Colour	White
Weight	1.4 kg
Lifespan	50,000 hours
Beam Angle	120°
Warm / Cool / Daylight	3 x CCT
Colour Temp/Kelvin	3000K / 4500K / 6000K
Dimmable	No
Warranty	5 years
Energy Rating	E
IP Rating	IP20
Material	Aluminium & PS
Packaging	Brown Box
Driver Included	Yes
Current (A)	0.145A
Hertz (Hz)	50/60Hz

Ra	>80
Power	30W
Voltage	220-260V
UGR	<19
Energy Consumption	30 kWh/1000h
Power Factor	>0.9
Input Frequency	50/60Hz
Colour Tolerance	2.7
PMMA	No



TIME LED is the Lighting Division of Pitacs Limited

Bradbourne Point, Bradbourne Drive, Tilbrook, Milton Keynes, Buckinghamshire MK7 8AT

T: +44 (0)1908 271155 F: +44 (0)1908 640017 E: info@TIMELED.co.uk W: www.TIMELED.co.uk



TIMELED-325076-SPEC-SHEET-JUL2024